

DVD-AUDIO/VIDEO SACD PLAYER DVD-S2500

SERVICE MANUAL

IMPORTANT NOTICE

This manual has been provided for the use of authorized YAMAHA Retailers and their service personnel. It has been assumed that basic service procedures inherent to the industry, and more specifically YAMAHA Products, are already known and understood by the users, and have therefore not been restated.

WARNING: Failure to follow appropriate service and safety procedures when servicing this product may result in personal injury, destruction of expensive components, and failure of the product to perform as specified. For these reasons, we advise all YAMAHA product owners that any service required should be performed by an authorized YAMAHA Retailer or the appointed service representative.

IMPORTANT: The presentation or sale of this manual to any individual or firm does not constitute authorization, certification or recognition of any applicable technical capabilities, or establish a principle-agent relationship of any form.

The data provided is believed to be accurate and applicable to the unit(s) indicated on the cover. The research, engineering, and service departments of YAMAHA are continually striving to improve YAMAHA products. Modifications are, therefore, inevitable and specifications are subject to change without notice or obligation to retrofit. Should any discrepancy appear to exist, please contact the distributor's Service Division.

WARNING: Static discharges can destroy expensive components. Discharge any static electricity your body may have accumulated by grounding yourself to the ground buss in the unit (heavy gauge black wires connect to this buss).

IMPORTANT: Turn the unit OFF during disassembly and part replacement. Recheck all work before you apply power to the unit.

CONTENTS

TO SERVICE PERSONNEL	2-4	DISASSEMBLY PROCEDURES /	
PREVENTION OF ELECTRO STATIC DISCHARGE	4	分解手順	9-10
LOCALE MANAGEMENT INFORMATION	5	BLOCK DIAGRAM	11
FRONT PANEL	5	WIRING DIAGRAM	12
REMOTE CONTROL PANEL	5	PRINTED CIRCUIT BOARD	13-21
REAR PANELS	6	SCHEMATIC DIAGRAM	22-49
SPECIFICATIONS / 参考仕様	6-7	EXPLODED VIEW	50
REPAIR NOTES / 修理上の留意点	8	MECHANICAL PARTS	51
INTERNAL VIEW / 各部名称	8		



このサービスマニュアルは、エコマーク認定の再生紙を使用しています。
This Service Manual uses recycled paper.

100940



YAMAHA

YAMAHA CORPORATION
P.O.Box 1, Hamamatsu, Japan

'05.01

DVD-S2500

■ TO SERVICE PERSONNEL

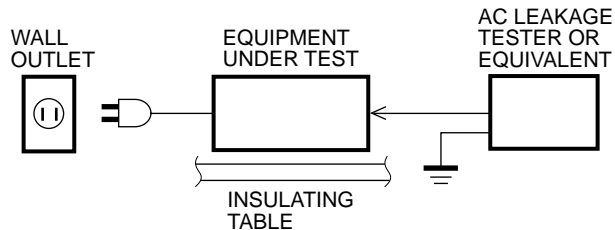
1. Critical Components Information

Components having special characteristics are marked \triangle and must be replaced with parts having specifications equal to those originally installed.

2. Leakage Current Measurement (For 120V Models Only)

When service has been completed, it is imperative to verify that all exposed conductive surfaces are properly insulated from supply circuits.

- Meter impedance should be equivalent to 1500 ohms shunted by 0.15 μ F.



- Leakage current must not exceed 0.5mA.
- Be sure to test for leakage with the AC plug in both polarities.

WARNING: CHEMICAL CONTENT NOTICE!

The solder used in the production of this product contains LEAD. In addition, other electrical/electronic and/or plastic (where applicable) components may also contain traces of chemicals found by the California Health and Welfare Agency (and possibly other entities) to cause cancer and/or birth defects or other reproductive harm.

DO NOT PLACE SOLDER, ELECTRICAL/ELECTRONIC OR PLASTIC COMPONENTS IN YOUR MOUTH FOR ANY REASON WHATSOEVER!

Avoid prolonged, unprotected contact between solder and your skin! When soldering, do not inhale solder fumes or expose eyes to solder/flux vapor!

If you come in contact with solder or components located inside the enclosure of this product, wash your hands before handling food.

WARNING: Laser Safety

This product contains a laser beam component. This component may emit invisible, as well as visible radiation, which may cause eye damage. To protect your eyes and skin from laser radiation, the following precautions must be used during servicing of the unit.

- 1) When testing and/or repairing any component within the product, keep your eyes and skin more than 30 cm away from the laser pick-up unit at all times. Do not stare at the laser beam at any time.
- 2) Do not attempt to readjust, disassemble or repair the laser pick-up, unless noted elsewhere in this manual.
- 3) CAUTION : Use of controls, adjustments or performance of procedures other than those specified herein may result in hazardous radiation exposure.

Laser Emitting conditions:

- 1) When the Top Cover is removed, and the STANDBY/ON SW is turned to the "ON" position, the laser component will emit a beam for several seconds to detect if a disc is present. During this time (5-10 sec.) the laser may radiate through the lens of the laser pick-up unit. Do not attempt any servicing during this period! If no disc is detected, the laser will stop emitting the beam. When a disc is loaded, you will not be exposed to any laser emissions.

警告：レーザーの安全対策

本機はレーザー光線を放射する部品を搭載しています。この部品が放射するレーザー光線は目に損傷を起こします。このレーザー光線から目及び肌を保護するために、本機の修理作業中は下記の注意を厳守してください。

- 1) テスト時または修理時、目及び肌を光ピックアップから30cm以上離してください。いかなる場合もレーザー光線を見つめないでください。
- 2) 光ピックアップの再調整及び分解はしないでください。
- 3) このマニュアル上で指定されている以外の制御、調整、手順はレーザー光線を照射される結果を招く恐れがあります。

レーザー放射条件

- 1) トップカバーを取り外しSTANDBY/ONスイッチをONにすると、ディスク検知のため5～10秒間、光ピックアップからレーザー光線が放射されます。この間、修理はしないでください。ディスクが検知されなければ、レーザー光線の放射は停止します。ディスクがセットされている場合、ディスクで遮られるのでレーザー光線は修理担当者には届きません。

2) The laser power level can be adjusted with the VR on the pick-up PWB, however, this level has been set by the factory prior to shipping from the factory. Do not adjust this laser level control unless instruction is provided elsewhere in this manual. Adjustment of this control can increase the laser emission level from the device.

2) レーザーパワーレベルは光ピックアップ基板上のVRにより調整可能ですが、工場出荷前に調整セット済みなので、このVRは廻さないでください。このVRを廻すと装置からのレーザー光線の放射レベルが上がる恐れがあります。

Laser Diode Properties

Type: Semiconductor laser GaAlAs
 Wave length: 650 nm (DVD/SA-CD)
 790 nm (VCD/CD)
 Output Power: 7 mW (DVD/SA-CD/VCD/CD)

レーザー

タイプ 半導体レーザー GaAlAs
 波長 650 nm (DVD/SA-CD)
 790 nm (VCD/CD)
 出力 7 mW (DVD/SA-CD/VCD/CD)

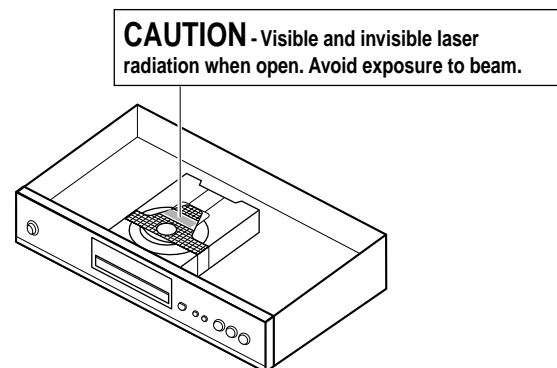
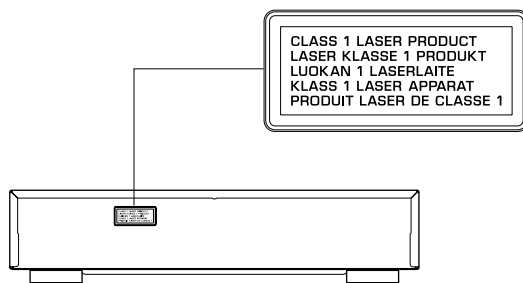
VARO! : AVATTAESSA JA SUOJALUKITUS OHITETTAESSA OLET ALTTIINA NÄKYMÄTTÖMÄLLE LASER-SÄTEILYLLE. ÄLÄ KATSO SÄTEESEEN.

WARNING! : OSYNLIG LASERSTRÅLNING NÄR DENNA DEL ÄR ÖPPNAD OCH SPÄRREN ÄR URKOPPLAD. BETRAKTA EJ STRÅLEN.

WARNING

The use of optical instruments with this product will increase eye hazard.

Repair handling should take place as much as possible with a disc loaded inside the player.



CAUTION VISIBLE AND INVISIBLE LASER RADIATION WHEN OPEN. AVOID EXPOSURE TO BEAM

ADVARSEL SYNLIG OG USYNLIG LASERSTRÅLNING VED ÅBNING UNDGÅ UDSÆTTELSE FOR STRÅLING

ADVARSEL SYNLIG OG USYNLIG LASERSTRÅLNING NÄR DEKSEL ÅPNES UNNGÅ EKSPONERING FOR STRÅLEN

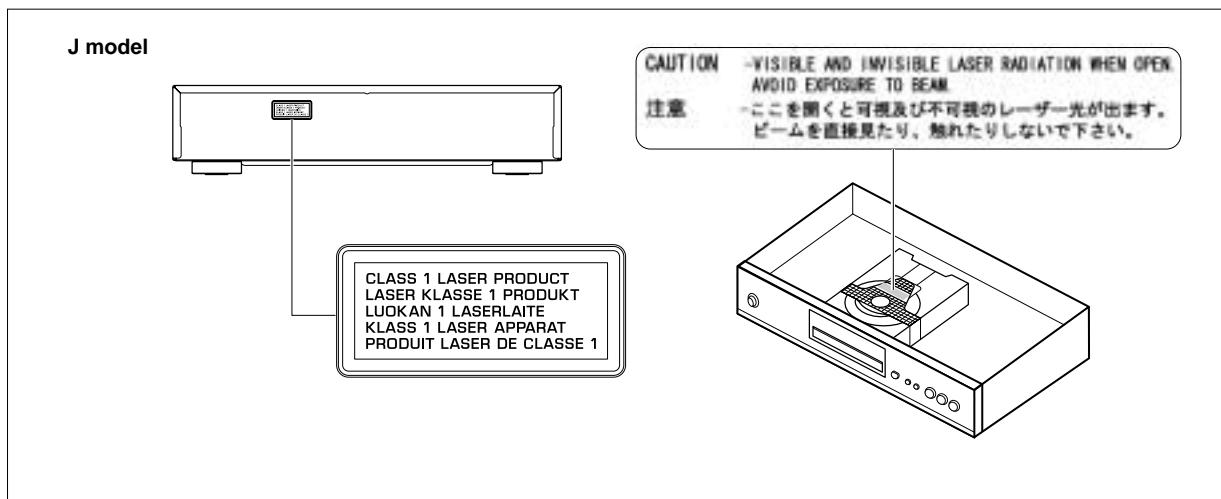
VARNING SYNLIG OCH OSYNLIG LASERSTRÅLNING NÄR DENNA DEL ÄR ÖPPNAD BETRAKTA EJ STRÅLEN

VARO! AVATT AESSA OLET ALTTIINA NÄKYVÄLLE JA NÄKYMÄTTÖMÄLLE LASER SÄTEILYLLE. ÄLÄ KATSO SÄTEESEEN

VORSICHT SICHTBARE UND UNSICHTBARE LASERSTRALUNG WENN ABDECKUNG GEÖFFNET NICHT DEM STRAHL AUSSETZEN

DANGER VISIBLE AND INVISIBLE LASER RADIATION WHEN OPEN. AVOID DIRECT EXPOSURE TO BEAM

ATTENTION RAYONNEMENT LASER VISIBLE ET INVISIBLE EN CAS D'OUVERTURE EXPOSITION DANGEREUSE AU FAISCEAU



Warning for power supply

The primary side of the power supply carries live mains voltage when the player is connected to the mains even when the player is switched off !

This primary area is not shielded so it is possible to touch copper tracks and/or components when servicing the player. Service personnel have to take precautions to prevent touching this area or components in this area .

Note:

The screws on the DVD mechanism may never be touched, removed or re-adjusted.

Handle the DVD mechanism with care when the unit has to be exchanged!

The DVD mechanism is very sensitive for dropping or giving shocks.

■ PREVENTION OF ELECTRO STATIC DISCHARGE

The laser diode in the DVD mechanism may be damaged due to static electricity from clothes or the human body. Use caution to prevent electro static damage when servicing or handling the DVD-mechanism.

1. Grounding for electro static damage prevention

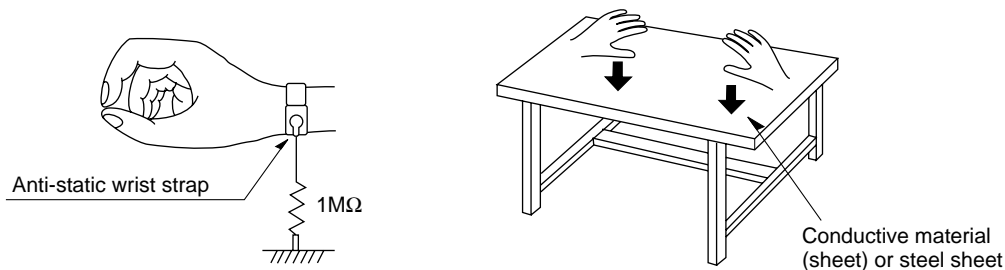
Some devices, such as the DVD player, use an optical pickup (laser diode) that will be damaged by static electricity in the working environment. Only attempt service after ensuring that all grounding procedures have been completed.

1. Worktable grounding

Put a grounded conductive material (sheet) or iron sheet on the area where the optical pickup is placed.

2. Human body grounding

Use an anti-static wrist strap to discharge the static electricity from your body.



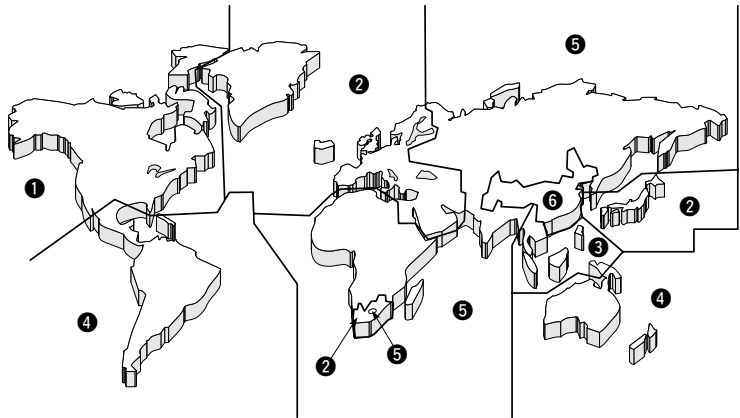
2. Handling Precautions for DVD mechanism

1. Handle the DVD mechanism gently, as it is an extremely high-precision assembly.
2. The flexible cable lines may break if an excessive force is applied to it. Use caution when handling the cable.
3. The semi-fixed resistor for laser power adjustment should not be adjusted. Do not turn the resistor.

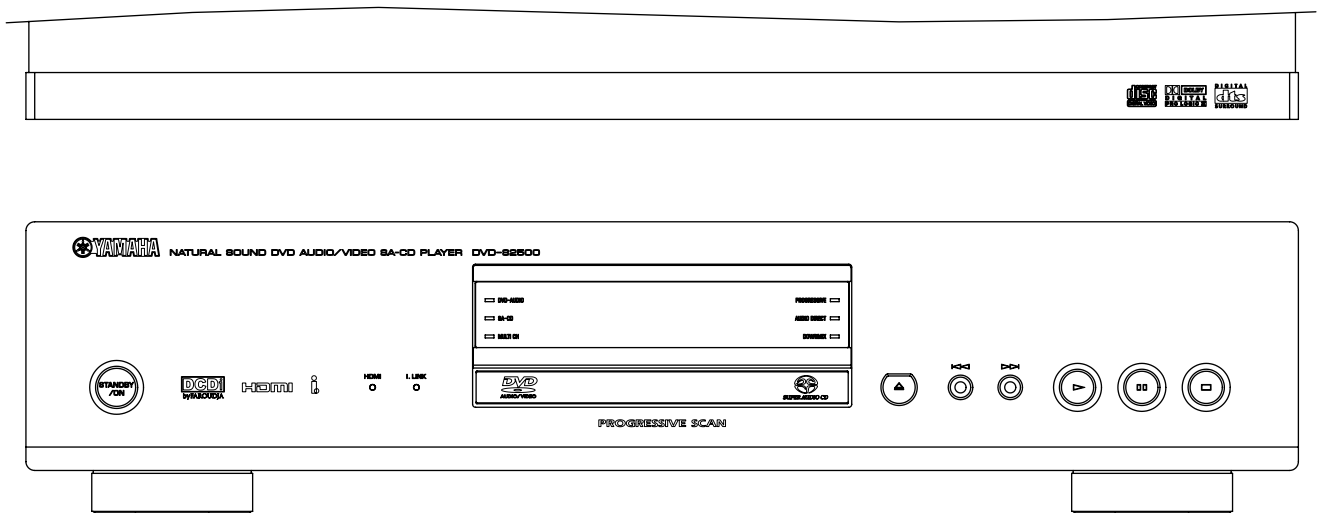
■ LOCALE MANAGEMENT INFORMATION

Locale Management Information : This DVD player is designed and manufactured to respond to the Locale Management Information that is recorded on a DVD disc. If the Locale number described on the DVD disc does not correspond to the Locale number of this DVD player, this DVD player cannot play this disc.

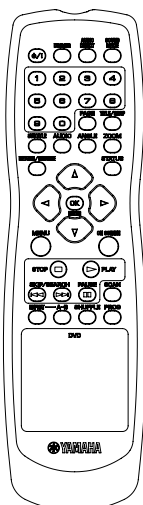
This product incorporates copyright protection technology that is protected by method claims of certain U.S. patents and other intellectual property rights owned by Macrovision Corporation and other rights owners. Use of this copyright protection technology must be authorized by Macrovision Corporation, and is intended for home and other limited viewing uses only unless otherwise authorized by Macrovision Corporation. Reverse engineering or disassembly is prohibited.



■ FRONT PANEL

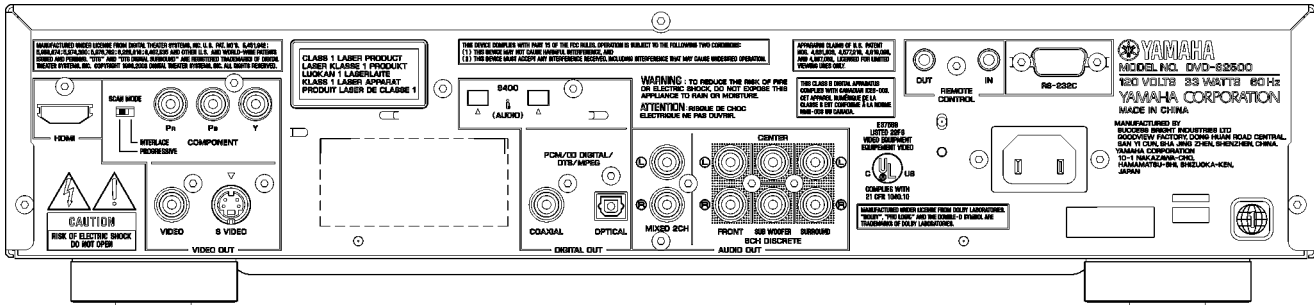


■ REMOTE CONTROL PANEL

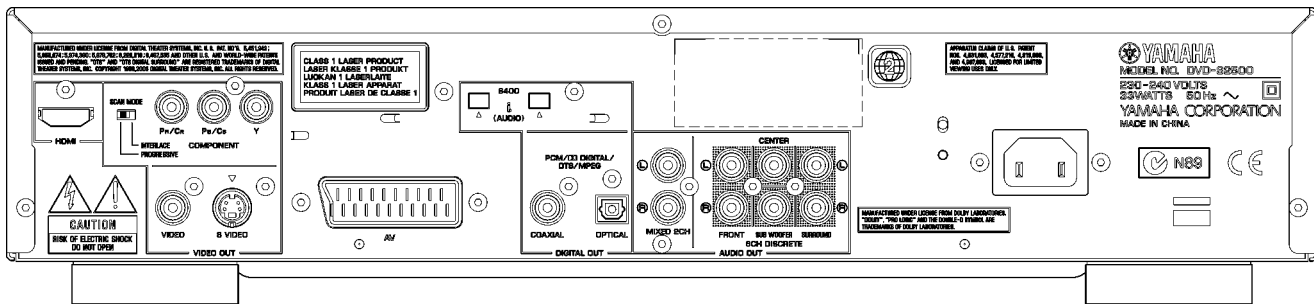


REAR PANELS

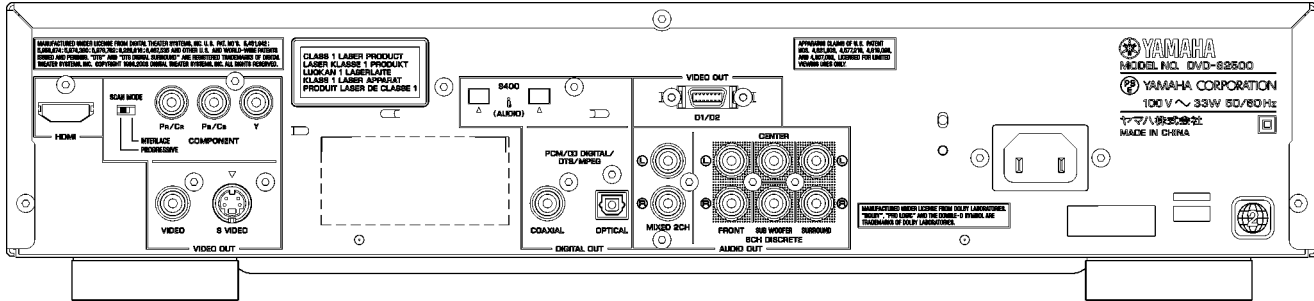
U model



G model



J model



SPECIFICATIONS / 参考仕様

PLAYBACK SYSTEM / 対応ディスク

DVD-Audio
 DVD-Video
 Super Audio-CD, Stereo/Multi-channel and Hybrid disc
 DVD+R, DVD+RW
 DVD-R, DVD-RW (Video Format)
 Video CD (VCD)
 Super Video CD (SVCD)
 CD-Audio (CD-DA)
 CD-R/CD-RW (CD-DA, VCD, SVCD)
 MP3, JPEG

VIDEO PERFORMANCE / ビデオ部

Video Output / 映像出力信号

1 Vpp into 75 ohms

S-Video Output / Sビデオ信号出力

Y: 1Vpp into 75 ohms
 C: 0.3Vpp into 75 ohms (PAL)
 C: 0.286Vpp into 75 ohms (NTSC)

Component Video Output / コンポーネントビデオ出力

Y: 1Vpp into 75 ohms
 Pb/Cb Pr/Cr: 0.7Vpp into 75 ohms
 RGB (SCART) Output 0.7 Vpp into 75 ohms (G model)
 D1/D2 Output
 D1: 1Vpp into 75 ohms (J model)
 D2: 0.7Vpp into 75 ohms (J model)

AUDIO FORMAT / オーディオフォーマット

DSD Multi-channel and Stereo
 Dolby Digital/DTS/MPEG Compressed Digital
 PCM/Packed PCM fs.48, 96, 192, and 44.1, 88.2
 176.4 kHz 16, 20, 24 bits

MP3 (ISO9660) 32, 44.1, 48, and 16, 22.05, 24 kHz
 Full decoding of Dolby Digital, DTS and MPEG multi-channel sound/
 analogue stereo sound
 Dolby Surround-compatible downmix from Dolby Digital multi-channel
 sound
 3D Sound for virtual 5.1 channel sound on two speakers
 Dolby Pro Logic II 5.1 ch decoding from the stereo source

AUDIO PERFORMANCE / オーディオ特性

DA Converter / DAコンバーター	24 bits
Signal-Noise Ratio / SN比	115 dB
Dynamic Range / ダイナミックレンジ	
(DVD 48 kHz 24 bit)	103 dB
(Super Audio CD)	107 dB
DVD	fs 96 kHz 2 Hz – 44 kHz
CD/VCD	fs 44.1 kHz 2 Hz – 20 kHz
Distortion and Noise / 全高調波歪率 (1 kHz)	
	0.0017% (DVD 48 kHz 24 bit)

TV STANDARD (PAL/50Hz) (NTSC/60Hz)

Number of lines	625	525
Playback	Multistandard	(PAL/NTSC)

CONNECTIONS / 接続端子

Y Output	Cinch (green)
Pb/Cb Output	Cinch (blue)
Pr/Cr Output	Cinch (red)
SCART	Euroconnector (G model)
D Terminal	(J model)
S-Video Output	Mini DIN, 4 pins
Video Output	Cinch (yellow)
Audio Output (L+R)	Cinch (white/red)
Digital Output	1 coaxial, 1 optical
HDMI Output	Type A
IEEE1394 Output	4 pins x 2

6 channel Analog Output

• Audio Main L/R	Cinch (white/red)
• Audio Surround L/R	Cinch (white/red)
• Audio Center	Cinch (blue)
• Audio Subwoofer	Cinch (black)

GENERAL / 一般

Dimensions (W x H x D) / 寸法 (幅 x 高さ x 奥行き)	435 x 100 x 314 mm (17-1/8" x 3-15/16" x 12-3/8")
Weight / 質量	Approx. 5.6 Kg (12 lbs 5 oz)
Finish / 仕上げ	Gold Color (G, J models) Black Color (U, G models) Titanium Color (G model)
Power Supply / 電源電圧	AC120V, 60Hz (U model) AC230-240V, 50Hz (G model) AC100V, 50/60Hz (J model)
Power Consumption / 消費電力	33W
Standby Power Consumption (reference data) / 待機時消費電力 (参考値)	1W

ACCESSORIES / 付属品

Remote Control, Batteries x 2, Power Cable x 1
Audio/Video Cable (U, J models) x 1
Audio Pin Cable (G model) x 1
Video Cable (G model) x 1

* Specifications subject to change without prior notice.

U USA model J Japanese model
G European model



Manufactured under license from Dolby Laboratories. "Dolby", "Pro Logic", and the double-D symbol are trademarks of Dolby Laboratories.



"DTS" and "DTS Digital Surround" are registered trademarks of Digital Theater Systems, Inc.




"DCDi" is a trademark of Faroudja, a division of Genesis Microchip, Inc.



HDMI, the HDMI logo and High-Definition Multimedia Interface are trademarks or registered trademark of HDMI Licensing LLC.

This product incorporates copyright protection technology that is protected by method claims of certain U.S. patents and other intellectual property rights owned by Macrovision Corporation and other rights owners. Use of this copyright protection technology must be authorized by Macrovision Corporation, and is intended for home and other limited viewing uses only unless otherwise authorized by Macrovision Corporation. Reverse engineering or disassembly is prohibited.

"i.LINK" and the "i.LINK" logo  are trademarks of Sony Corporation.

This product complies with the following i.LINK interface specifications:

1. IEEE Std 1394a-2000, Standard for a High Performance Serial Bus
2. Audio and Music Data Transmission Protocol 2.1

Following the standard for AM824 sequence adaptation layers, the product is compatible with IEC60958 bitstream, DVD-A and SA-CD media.



ドルビーラボラトリーズからの実施権に基づき製造されています。「ドルビー」、「PRO LOGIC」およびダブルD記号は、ドルビーラボラトリーズの商標です。



DTS および DTS Digital Surround はデジタルシアターシステムズの登録商標です。

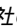


DCDi は、Genesis Microchip Inc. の事業部門である Faroudja の商標です。



HDMI は HDMI Licensing, LLC の登録商標です。

本製品は、著作権保護技術を採用しており、マクロビジョン社及びその他の著作権者が保有する米国特許及びその他の知的財産権によって保護されています。この著作権保護技術の使用は、マクロビジョン社の許可が必要で、またマクロビジョン社の特別な許可がない限り家庭用及びその他の一部の視聴用の使用に制限されています。分解したり、改造することも禁じられています。

i.LINK と i.LINK ロゴ  はソニー株式会社の商標です。

この機器の i.LINK インターフェースは、以下の規格に基づいて設計されています。

1. IEEE Std 1394a-2000, Standard for a High Performance Serial Bus
 2. Audio and Music Data Transmission Protocol 2.1
- この規格の AM824 sequence adaptation layers の中の、IEC60958 bitstream、DVD-Audio または SA-CD に対応しています。

REPAIR NOTES / 修理上の留意点

1) Power Supply Unit

The power supply unit has to be replaced in case of failure.

2) DVD Mechanism

The DVD mechanism is a non-repairable unit and in case of failure, it has to be replaced with a complete DVD mechanism.

3) P.C.B. Ass'y

When the P.C.B. Ass'y is found faulty, replace each P.C.B.

1)電源ユニット

故障の場合は、電源ユニットを交換してください。

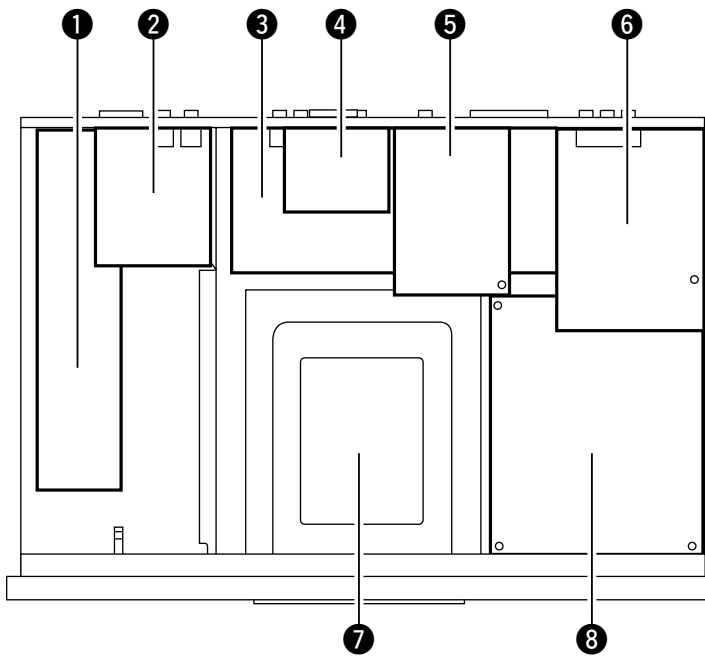
2)DVD メカ

DVDメカは、修理不可能なユニットなので、故障の場合は、DVDメカ全体を交換してください。

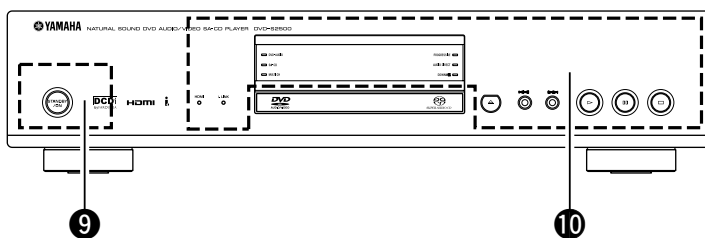
3)PCB Ass'y

故障の場合は、各 PCB を交換してください。

INTERNAL VIEW / 各部名称

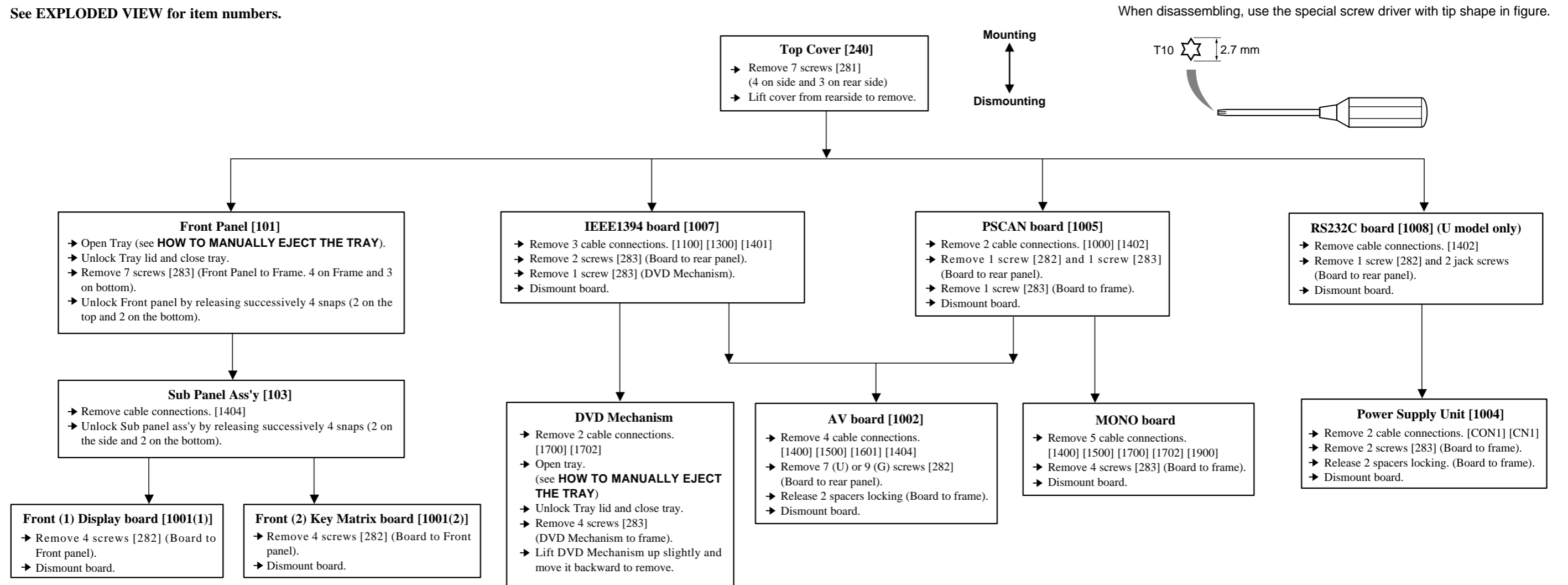


- ① POWER SUPPLY UNIT
- ② RS232C Board (U model only)
- ③ AV Board
- ④ HDMI D2 Board (J model only)
- ⑤ IEEE1394 Board
- ⑥ PSCAN Board
- ⑦ DVD MECHANISM Unit
- ⑧ MONO Board
- ⑨ FRONT (2) Board
- ⑩ FRONT (1) Board



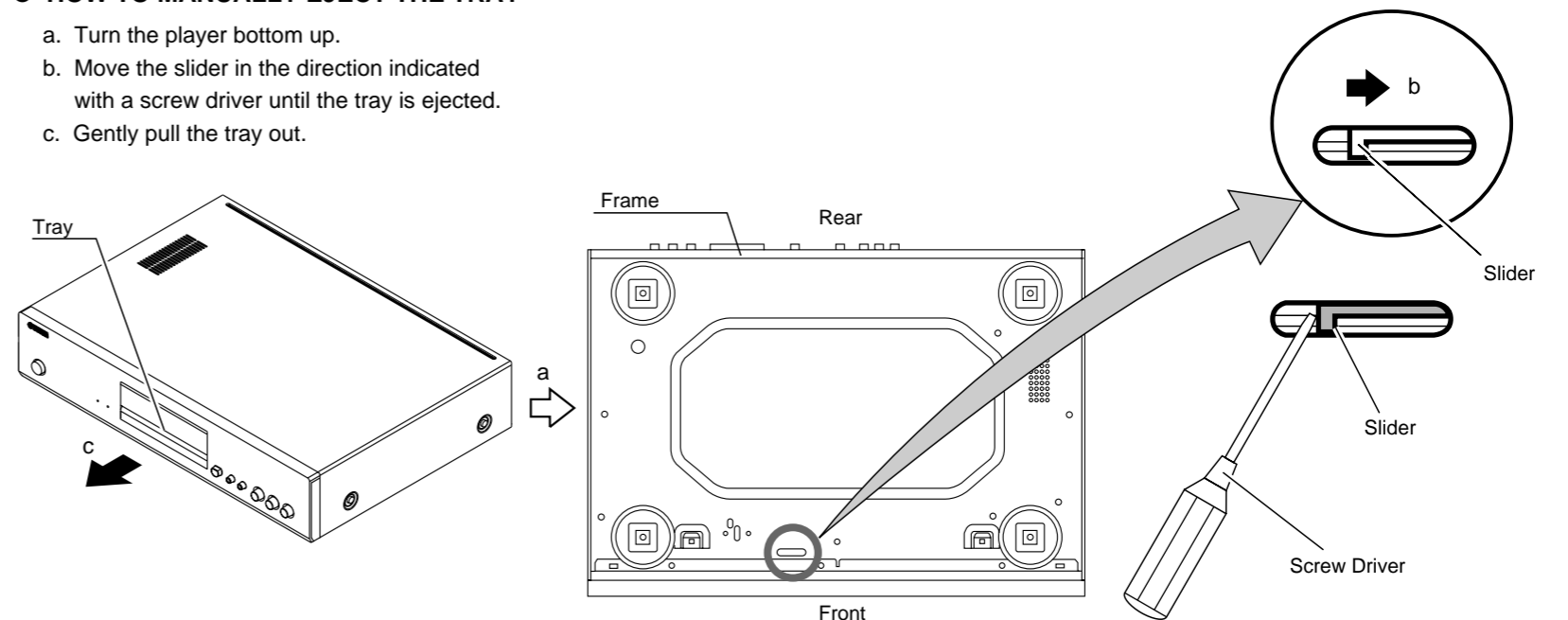
DISASSEMBLY PROCEDURES

See **EXPLODED VIEW** for item numbers.



● HOW TO MANUALLY EJECT THE TRAY

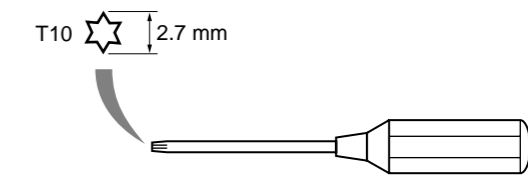
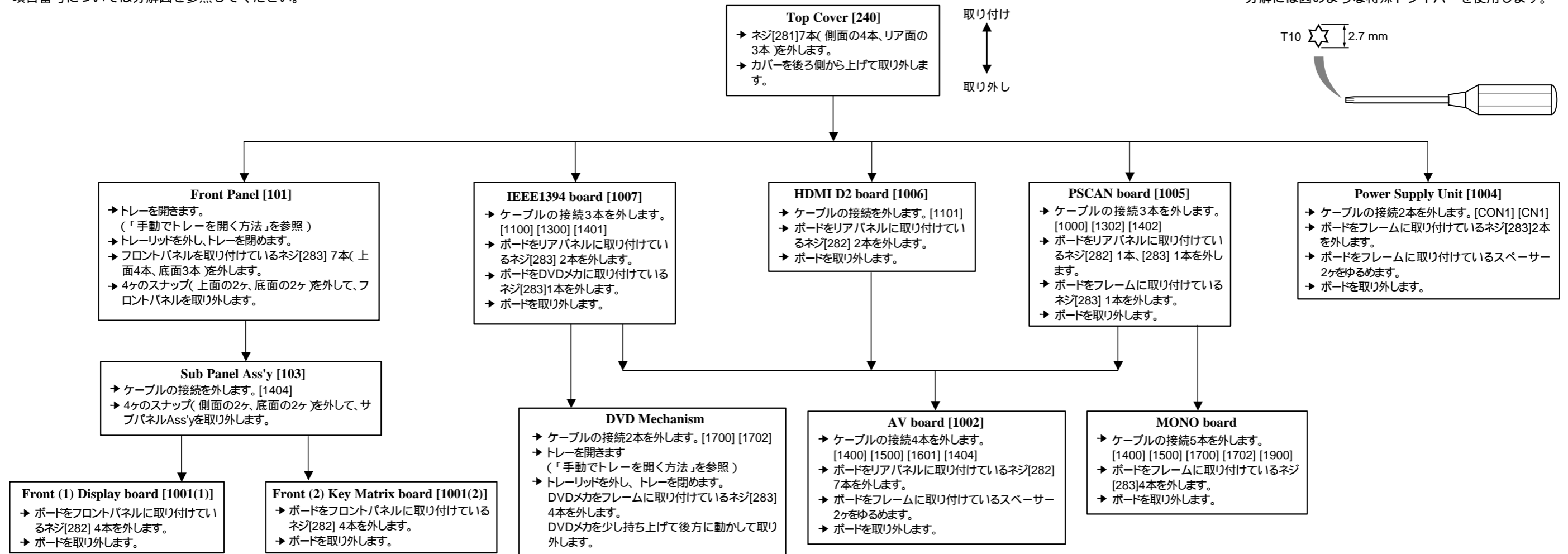
- Turn the player bottom up.
- Move the slider in the direction indicated with a screw driver until the tray is ejected.
- Gently pull the tray out.



■ 分解手順

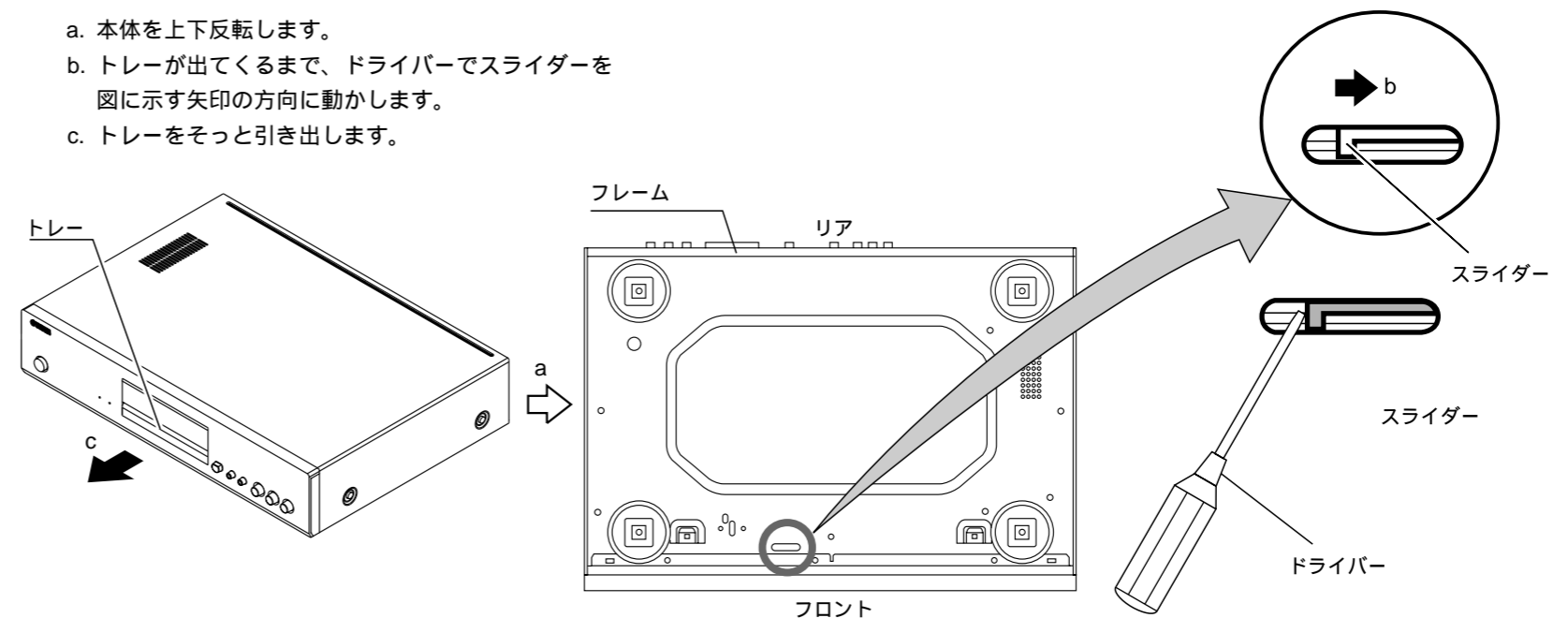
項目番号については分解図を参照してください。

分解には図のような特殊ドライバーを使用します。

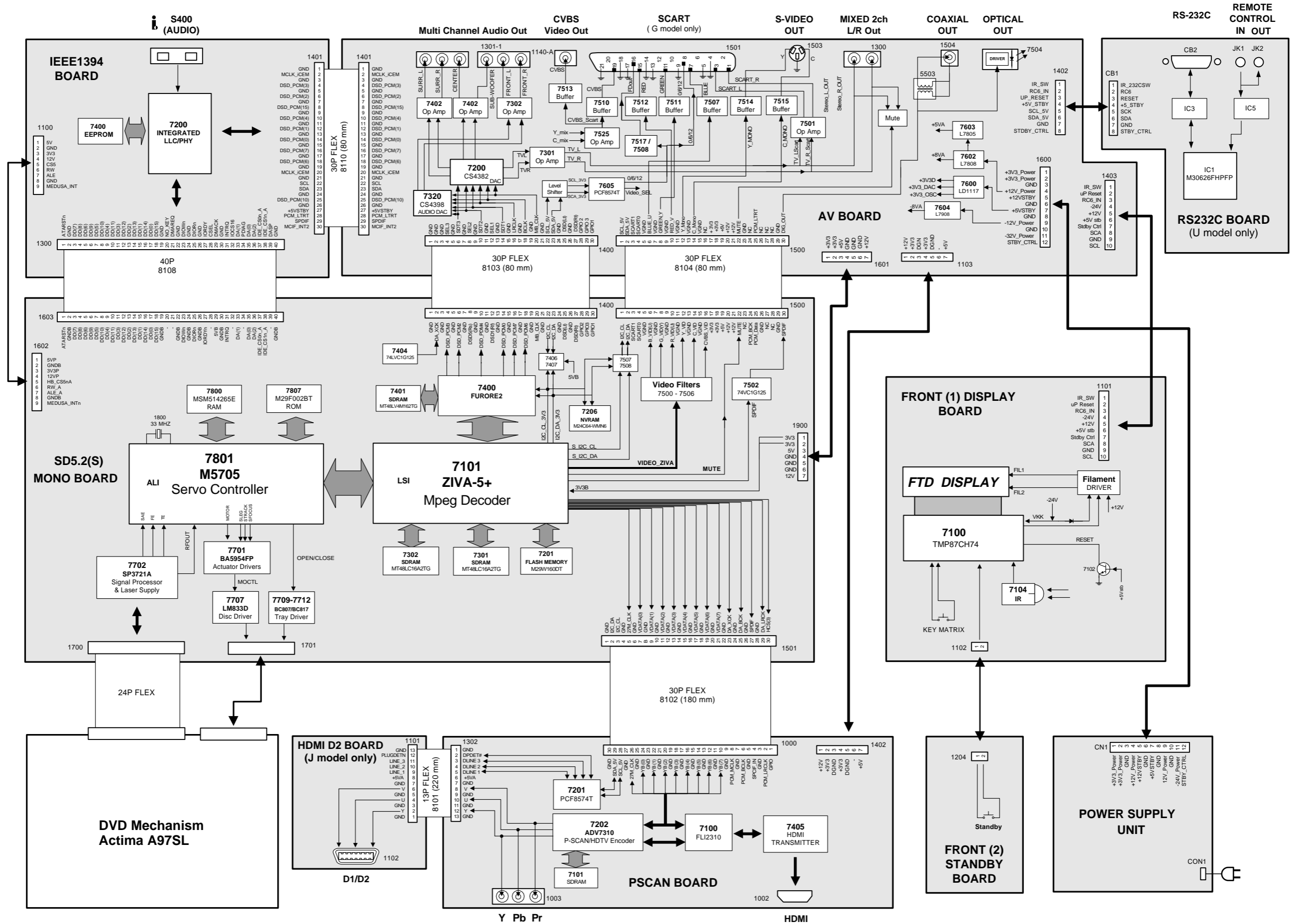


手でトレーを開く方法

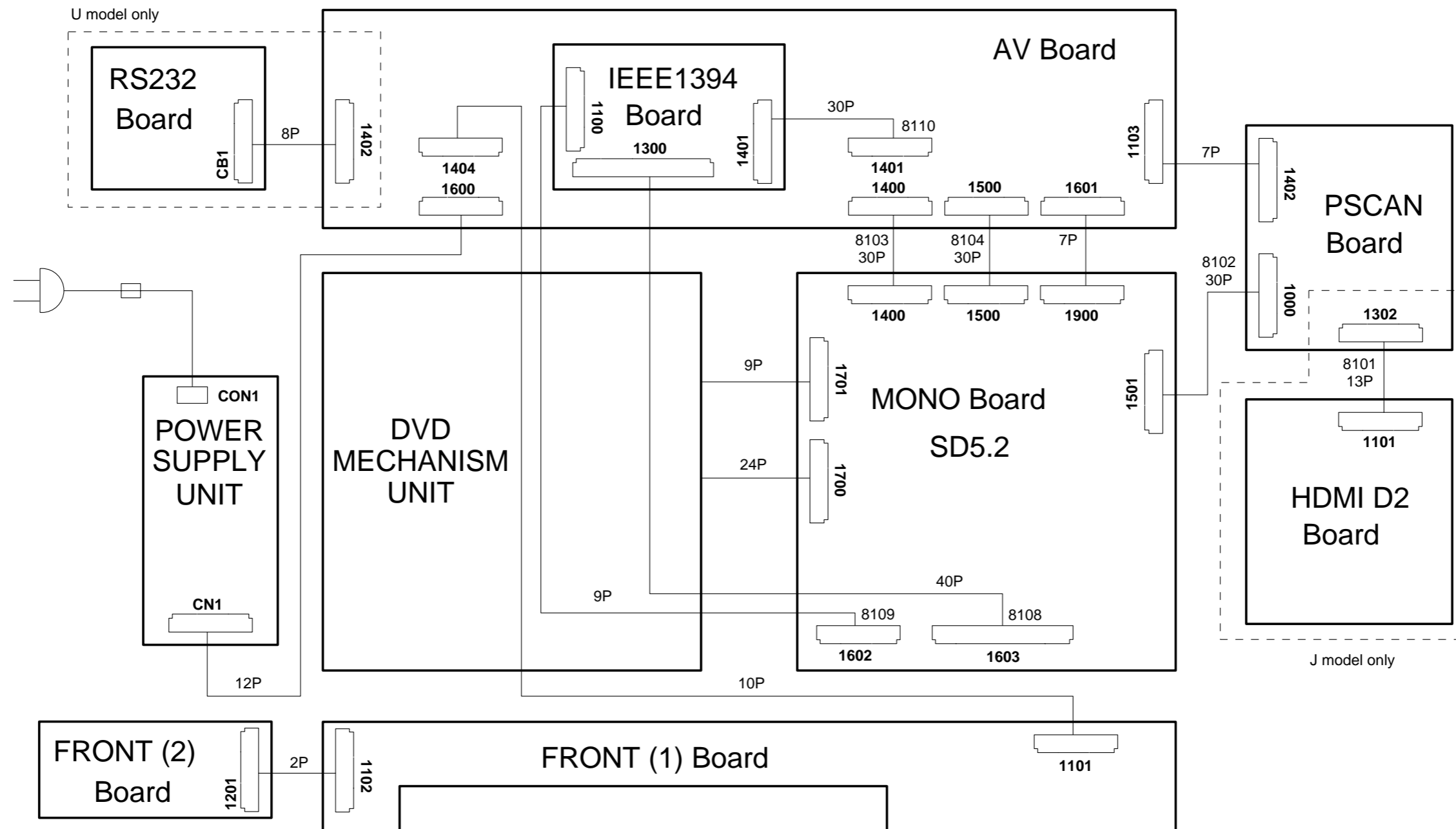
- 本体を上下反転します。
- トレーが出てくるまで、ドライバーでスライダを
図に示す矢印の方向に動かします。
- トレーをそっと引き出します。



BLOCK DIAGRAM

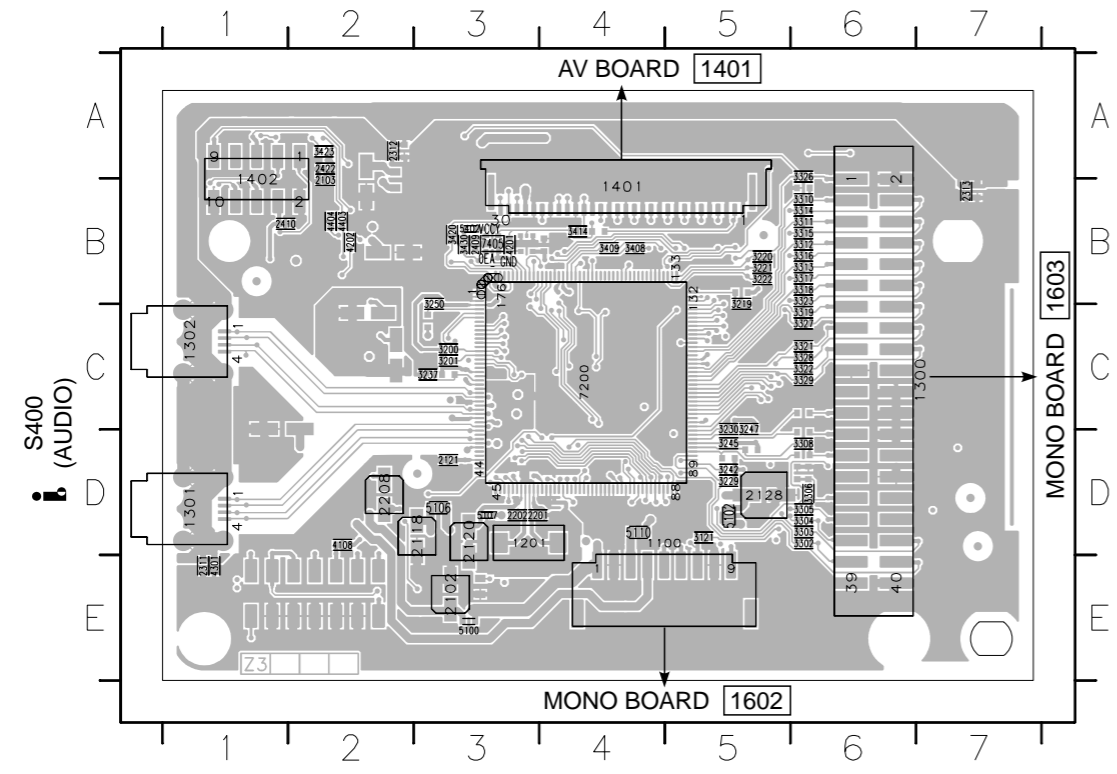


■ WIRING DIAGRAM



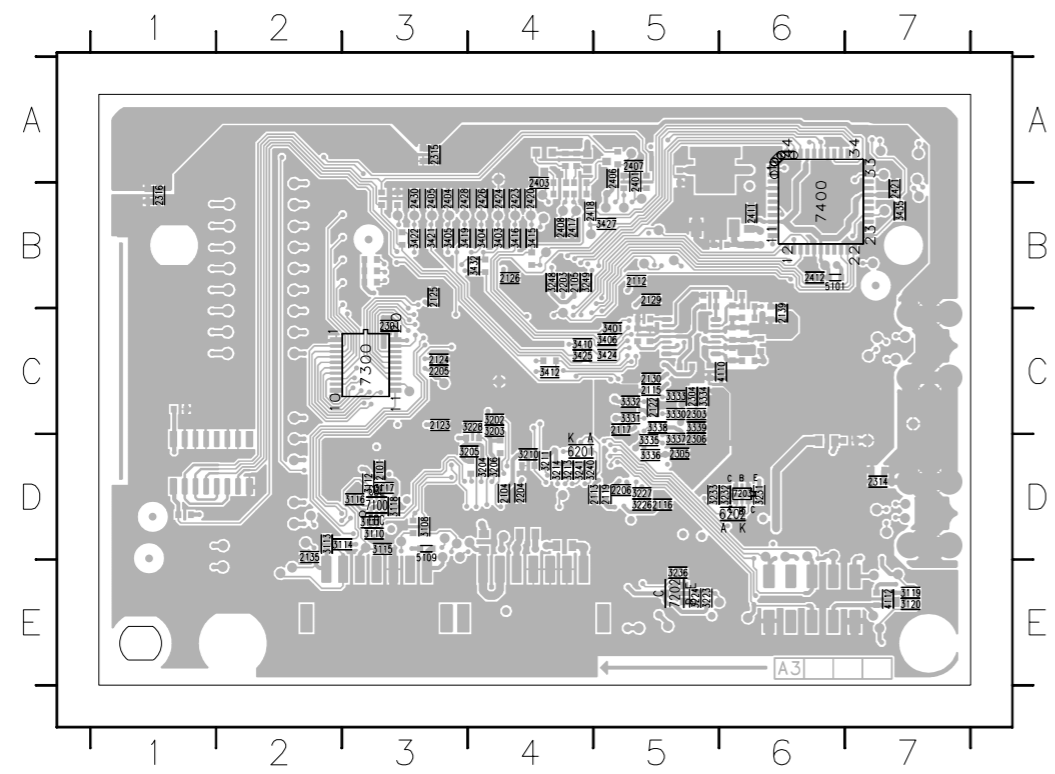
■ PRINTED CIRCUIT BOARD
FOR INFORMATION ONLY (NO REPLACEMENT PARTS WILL BE AVAILABLE)

IEEE1394 Board Top View



1100
1101
1102
1103
1104
1105
1106
1107
1108
1109
1110
1111
1112
1113
1114
1115
1116
1117
1118
1119
1120
1121
1122
1123
1124
1125
1126
1127
1128
1129
1130
1131
1132
1133
1134
1135
1136
1137
1138
1139
1140
1141
1142
1143
1144
1145
1146
1147
1148
1149
1150
1151
1152
1153
1154
1155
1156
1157
1158
1159
1160
1161
1162
1163
1164
1165
1166
1167
1168
1169
1170
1171
1172
1173
1174
1175
1176
1177
1178
1179
1180
1181
1182
1183
1184
1185
1186
1187
1188
1189
1190
1191
1192
1193
1194
1195
1196
1197
1198
1199
1200
1201
1202
1203
1204
1205
1206
1207
1208
1209
1210
1211
1212
1213
1214
1215
1216
1217
1218
1219
1220
1221
1222
1223
1224
1225
1226
1227
1228
1229
1230
1231
1232
1233
1234
1235
1236
1237
1238
1239
1240
1241
1242
1243
1244
1245
1246
1247
1248
1249
1250
1251
1252
1253
1254
1255
1256
1257
1258
1259
1260
1261
1262
1263
1264
1265
1266
1267
1268
1269
1270
1271
1272
1273
1274
1275
1276
1277
1278
1279
1280
1281
1282
1283
1284
1285
1286
1287
1288
1289
1290
1291
1292
1293
1294
1295
1296
1297
1298
1299
1300
1301
1302
1303
1304
1305
1306
1307
1308
1309
1310
1311
1312
1313
1314
1315
1316
1317
1318
1319
1320
1321
1322
1323
1324
1325
1326
1327
1328
1329
1330
1331
1332
1333
1334
1335
1336
1337
1338
1339
1340
1341
1342
1343
1344
1345
1346
1347
1348
1349
1350
1351
1352
1353
1354
1355
1356
1357
1358
1359
1360
1361
1362
1363
1364
1365
1366
1367
1368
1369
1370
1371
1372
1373
1374
1375
1376
1377
1378
1379
1380
1381
1382
1383
1384
1385
1386
1387
1388
1389
1390
1391
1392
1393
1394
1395
1396
1397
1398
1399
1400
1401
1402
1403
1404
1405
1406
1407
1408
1409
1410
1411
1412
1413
1414
1415
1416
1417
1418
1419
1420
1421
1422
1423
1424
1425
1426
1427
1428
1429
1430
1431
1432
1433
1434
1435
1436
1437
1438
1439
1440
1441
1442
1443
1444
1445
1446
1447
1448
1449
1450
1451
1452
1453
1454
1455
1456
1457
1458
1459
1460
1461
1462
1463
1464
1465
1466
1467
1468
1469
1470
1471
1472
1473
1474
1475
1476
1477
1478
1479
1480
1481
1482
1483
1484
1485
1486
1487
1488
1489
1490
1491
1492
1493
1494
1495
1496
1497
1498
1499
1500
1501
1502
1503
1504
1505
1506
1507
1508
1509
1510
1511
1512
1513
1514
1515
1516
1517
1518
1519
1520
1521
1522
1523
1524
1525
1526
1527
1528
1529
1530
1531
1532
1533
1534
1535
1536
1537
1538
1539
1540
1541
1542
1543
1544
1545
1546
1547
1548
1549
1550
1551
1552
1553
1554
1555
1556
1557
1558
1559
1560
1561
1562
1563
1564
1565
1566
1567
1568
1569
1570
1571
1572
1573
1574
1575
1576
1577
1578
1579
1580
1581
1582
1583
1584
1585
1586
1587
1588
1589
1590
1591
1592
1593
1594
1595
1596
1597
1598
1599
1600
1601
1602
1603
1604
1605
1606
1607
1608
1609
1610
1611
1612
1613
1614
1615
1616
1617
1618
1619
1620
1621
1622
1623
1624
1625
1626
1627
1628
1629
1630
1631
1632
1633
1634
1635
1636
1637
1638
1639
1640
1641
1642
1643
1644
1645
1646
1647
1648
1649
1650
1651
1652
1653
1654
1655
1656
1657
1658
1659
1660
1661
1662
1663
1664
1665
1666
1667
1668
1669
1670
1671
1672
1673
1674
1675
1676
1677
1678
1679
1680
1681
1682
1683
1684
1685
1686
1687
1688
1689
1690
1691
1692
1693
1694
1695
1696
1697
1698
1699
1700
1701
1702
1703
1704
1705
1706
1707
1708
1709
1710
1711
1712
1713
1714
1715
1716
1717
1718
1719
1720
1721
1722
1723
1724
1725
1726
1727
1728
1729
1730
1731
1732
1733
1734
1735
1736
1737
1738
1739
1740
1741
1742
1743
1744
1745
1746
1747
1748
1749
1750
1751
1752
1753
1754
1755
1756
1757
1758
1759
1760
1761
1762
1763
1764
1765
1766
1767
1768
1769
1770
1771
1772
1773
1774
1775
1776
1777
1778
1779
1780
1781
1782
1783
1784
1785
1786
1787
1788
1789
1790
1791
1792
1793
1794
1795
1796
1797
1798
1799
1800
1801
1802
1803
1804
1805
1806
1807
1808
1809
1810
1811
1812
1813
1814
1815
1816
1817
1818
1819
1820
1821
1822
1823
1824
1825
1826
1827
1828
1829
1830
1831
1832
1833
1834
1835
1836
1837
1838
1839
1840
1841
1842
1843
1844
1845
1846
1847
1848
1849
1850
1851
1852
1853
1854
1855
1856
1857
1858
1859
1860
1861
1862
1863
1864
1865
1866
1867
1868
1869
1870
1871
1872
1873
1874
1875
1876
1877
1878
1879
1880
1881
1882
1883
1884
1885
1886
1887
1888
1889
1890
1891
1892
1893
1894
1895
1896
1897
1898
1899
1900
1901
1902
1903
1904
1905
1906
1907
1908
1909
1910
1911
1912
1913
1914
1915
1916
1917
1918
1919
1920
1921
1922
1923
1924
1925
1926
1927
1928
1929
1930
1931
1932
1933
1934
1935
1936
1937
1938
1939
1940
1941
1942
1943
1944
1945
1946
1947
1948
1949
1950
1951
1952
1953
1954
1955
1956
1957
1958
1959
1960
1961
1962
1963
1964
1965
1966
1967
1968
1969
1970
1971
1972
1973
1974
1975
1976
1977
1978
1979
1980
1981
1982
1983
1984
1985
1986
1987
1988
1989
1990
1991
1992
1993
1994
1995
1996
1997
1998
1999
2000

IEEE1394 Board Bottom View

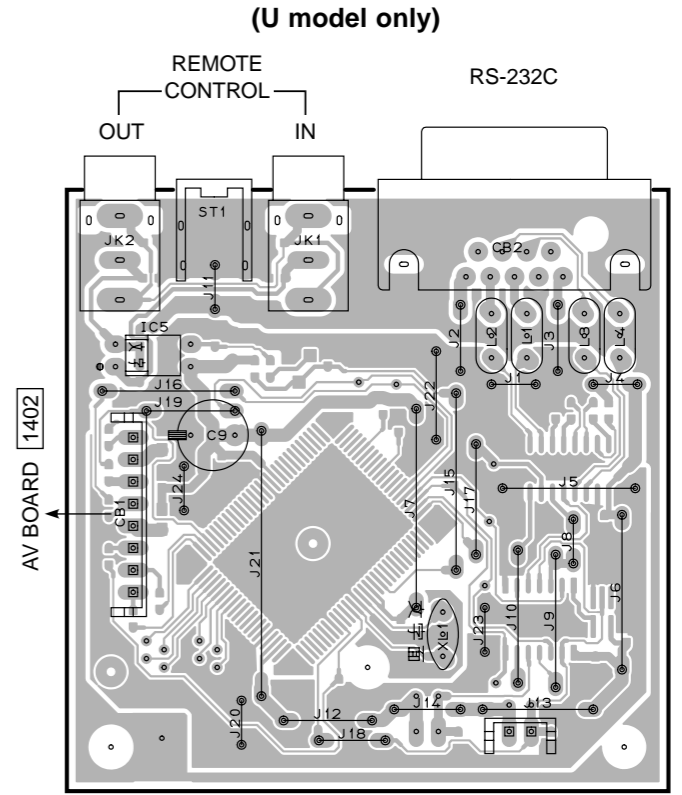


2100
2101
2102
2103
2104
2105
2106
2107
2108
2109
2110
2111
2112
2113
2114
2115
2116
2117
2118
2119
2120
2121
2122
2123
2124
2125
2126
2127
2128
2129
2130
2131
2132
2133
2134
2135
2136
2137
2138
2139
2140
2141
2142
2143
2144
2145
2146
2147
2148
2149
2150
2151
2152
2153
2154
2155
2156
2157
2158
2159
2160
2161
2162
2163
2164
2165
2166
2167
2168
2169
2170
2171
2172
2173
2174
2175
2176
2177
2178
2179
2180
2181
2182
2183
2184
2185
2186
2187
2188
2189
2190
2191
2192
2193
2194
2195
2196
2197
2198
2199
2200
2201
2202
2203
2204
2205
2206
2207
2208
2209
2210
2211
2212
2213
2214
2215
2216
2217
2218
2219
2220
2221
2222
2223
2224
2225
2226
2227
2228
2229
2230
2231
2232
2233
2234
2235
2236
2237
2238
2239
2240
2241
2242
2243
2244
2245
2246
2247
2248
2249
2250
2251
2252
2253
2254
2255
2256
2257
2258
2259
2260
2261
2262
2263
2264
2265
2266
2267
2268
2269
2270
2271
2272
2273
2274
2275
2276
2277
2278
2279
2280
2281
2282
2283
2284
2285
2286
2287
2288
2289
2290
2291
2292
2293
2294
2295
2296
2297
2298
2299
2300
2301
2302
2303
2304
2305
2306
2307
2308
2309
2310
2311
2312
2313
2314
2315
2316
2317
2318
2319
2320
2321
2322
2323
2324
2325
2326
2327
2328
2329
2330
2331
2332
2333
2334
2335
2336
2337
2338
2339
2340
2341
2342
2343
2344
2345
2346
2347
2348
2349
2350
2351
2352
2353
2354
2355
2356
2357
2358
2359
2360
2361
2362
2363
2364
2365
2366
2367
2368
2369
2370
2371
2372
2373
2374
2375
2376
2377
2378
2379
2380
2381
2382
2383
2384
2385
2386
2387
2388
2389
2390
2391
2392
2393
2394
2395
2396
2397
2398
2399
2400
2401
2402
2403
2404
2405
2406
2407
2408
2409
2410
2411
2412
2413
2414
2415
2416
2417
2418
2419
2420
2421
2422
2423
2424
2425
2426
2427
2428
2429
2430
2431
2432
2433
2434
2435
2436
2437
2438
2439
2440
2441
2442
2443
2444
2445
2446
2447
2448
2449
2450
2451
2452
2453
2454
2455
2456
2457
2458
2459
2460
2461
2462
2463
2464
2465
2466
2467
2468
2469
2470
2471
2472
2473
2474
2475
2476
2477
2478
2479
2480
2481
2482
2483
2484
2485
2486
2487
2488
2489
2490
2491
2492
2493
2494
2495
2496
2497
2498
2499
2500

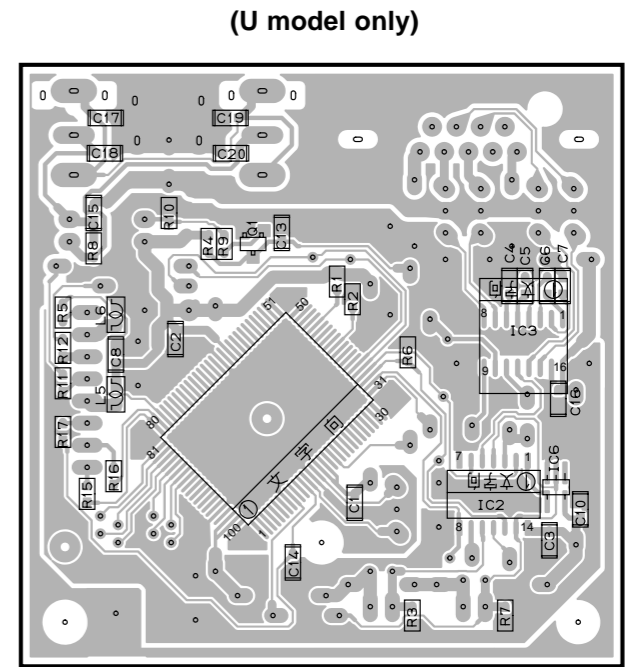
The first digit of a component indicates the component type.

- 1xxx : Connector
- 2xxx : Capacitor
- 3xxx : Resistor
- 4xxx : SMD jumper
- 5xxx : Coil
- 6xxx : Diode
- 7xxx : IC, Transistor, FET
- 8xxx : Wire jumper
- 9xxx : Wire jumper

RS232C Board Top View



RS232C Board Bottom View

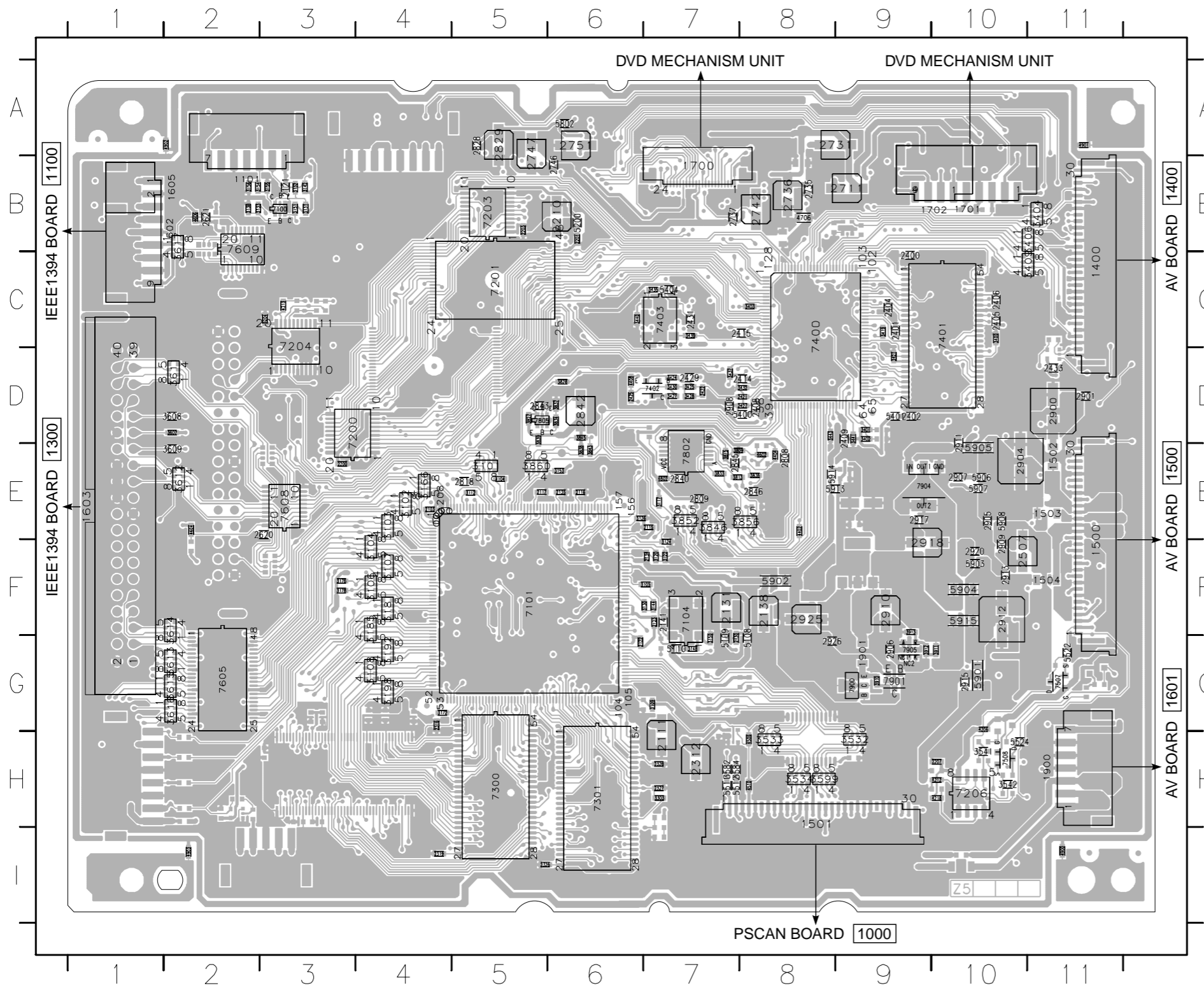


■ PRINTED CIRCUIT BOARD
FOR INFORMATION ONLY (NO REPLACEMENT PARTS WILL BE AVAILABLE)

The first digit of a component indicates the component type.

- 1xxx : Connector 3xxx : Resistor 5xxx : Coil 7xxx : IC, Transistor, FET
- 2xxx : Capacitor 4xxx : SMD jumper 6xxx : Diode 9xxx : Wire jumper

MONO Board Top View



110	111	112	113	114	115	116	117	118	119	120	121	122	123	124	125	126	127	128	129	130	131	132	133	134	135	136	137	138	139	140	141	142	143	144	145	146	147	148	149	150	151	152	153	154	155	156	157	158	159	160	161	162	163	164	165	166	167	168	169	170	171	172	173	174	175	176	177	178	179	180	181	182	183	184	185	186	187	188	189	190	191	192	193	194	195	196	197	198	199	200	201	202	203	204	205	206	207	208	209	210	211	212	213	214	215	216	217	218	219	220	221	222	223	224	225	226	227	228	229	230	231	232	233	234	235	236	237	238	239	240	241	242	243	244	245	246	247	248	249	250	251	252	253	254	255	256	257	258	259	260	261	262	263	264	265	266	267	268	269	270	271	272	273	274	275	276	277	278	279	280	281	282	283	284	285	286	287	288	289	290	291	292	293	294	295	296	297	298	299	300	301	302	303	304	305	306	307	308	309	310	311	312	313	314	315	316	317	318	319	320	321	322	323	324	325	326	327	328	329	330	331	332	333	334	335	336	337	338	339	340	341	342	343	344	345	346	347	348	349	350	351	352	353	354	355	356	357	358	359	360	361	362	363	364	365	366	367	368	369	370	371	372	373	374	375	376	377	378	379	380	381	382	383	384	385	386	387	388	389	390	391	392	393	394	395	396	397	398	399	400	401	402	403	404	405	406	407	408	409	410	411	412	413	414	415	416	417	418	419	420	421	422	423	424	425	426	427	428	429	430	431	432	433	434	435	436	437	438	439	440	441	442	443	444	445	446	447	448	449	450	451	452	453	454	455	456	457	458	459	460	461	462	463	464	465	466	467	468	469	470	471	472	473	474	475	476	477	478	479	480	481	482	483	484	485	486	487	488	489	490	491	492	493	494	495	496	497	498	499	500	501	502	503	504	505	506	507	508	509	510	511	512	513	514	515	516	517	518	519	520	521	522	523	524	525	526	527	528	529	530	531	532	533	534	535	536	537	538	539	540	541	542	543	544	545	546	547	548	549	550	551	552	553	554	555	556	557	558	559	560	561	562	563	564	565	566	567	568	569	570	571	572	573	574	575	576	577	578	579	580	581	582	583	584	585	586	587	588	589	590	591	592	593	594	595	596	597	598	599	600	601	602	603	604	605	606	607	608	609	610	611	612	613	614	615	616	617	618	619	620	621	622	623	624	625	626	627	628	629	630	631	632	633	634	635	636	637	638	639	640	641	642	643	644	645	646	647	648	649	650	651	652	653	654	655	656	657	658	659	660	661	662	663	664	665	666	667	668	669	670	671	672	673	674	675	676	677	678	679	680	681	682	683	684	685	686	687	688	689	690	691	692	693	694	695	696	697	698	699	700	701	702	703	704	705	706	707	708	709	710	711	712	713	714	715	716	717	718	719	720	721	722	723	724	725	726	727	728	729	730	731	732	733	734	735	736	737	738	739	740	741	742	743	744	745	746	747	748	749	750	751	752	753	754	755	756	757	758	759	760	761	762	763	764	765	766	767	768	769	770	771	772	773	774	775	776	777	778	779	780	781	782	783	784	785	786	787	788	789	790	791	792	793	794	795	796	797	798	799	800	801	802	803	804	805	806	807	808	809	810	811	812	813	814	815	816	817	818	819	820	821	822	823	824	825	826	827	828	829	830	831	832	833	834	835	836	837	838	839	840	841	842	843	844	845	846	847	848	849	850	851	852	853	854	855	856	857	858	859	860	861	862	863	864	865	866	867	868	869	870	871	872	873	874	875	876	877	878	879	880	881	882	883	884	885	886	887	888	889	890	891	892	893	894	895	896	897	898	899	900	901	902	903	904	905	906	907	908	909	910	911	912	913	914	915	916	917	918	919	920	921	922	923	924	925	926	927	928	929	930	931	932	933	934	935	936	937	938	939	940	941	942	943	944	945	946	947	948	949	950	951	952	953	954	955	956	957	958	959	960	961	962	963	964	965	966	967	968	969	970	971	972	973	974	975	976	977	978	979	980	981	982	983	984	985	986	987	988	989	990	991	992	993	994	995	996	997	998	999	1000	1001	1002	1003	1004	1005	1006	1007	1008	1009	1010	1011	1012	1013	1014	1015	1016	1017	1018	1019	1020	1021	1022	1023	1024	1025	1026	1027	1028	1029	1030	1031	1032	1033	1034	1035	1036	1037	1038	1039	1040	1041	1042	1043	1044	1045	1046	1047	1048	1049	1050	1051	1052	1053	1054	1055	1056	1057	1058	1059	1060	1061	1062	1063	1064	1065	1066	1067	1068	1069	1070	1071	1072	1073	1074	1075	1076	1077	1078	1079	1080	1081	1082	1083	1084	1085	1086	1087	1088	1089	1090	1091	1092	1093	1094	1095	1096	1097	1098	1099	1100	1101	1102	1103	1104	1105	1106	1107	1108	1109	1110	1111	1112	1113	1114	1115	1116	1117	1118	1119	1120	1121	1122	1123	1124	1125	1126	1127	1128	1129	1130	1131	1132	1133	1134	1135	1136	1137	1138	1139	1140	1141	1142	1143	1144	1145	1146	1147	1148	1149	1150	1151	1152	1153	1154	1155	1156	1157	1158	1159	1160	1161	1162	1163	1164	1165	1166	1167	1168	1169	1170	1171	1172	1173	1174	1175	1176	1177	1178	1179	1180	1181	1182	1183	1184	1185	1186	1187	1188	1189	1190	1191	1192	1193	1194	1195	1196	1197	1198	1199	1200	1201	1202	1203	1204	1205	1206	1207	1208	1209	1210	1211	1212	1213	1214	1215	1216	1217	1218	1219	1220	1221	1222	1223	1224	1225	1226	1227	1228	1229	1230	1231	1232	1233	1234	1235	1236	1237	1238	1239	1240	1241	1242	1243	1244	1245	1246	1247	1248	1249	1250	1251	1252	1253	1254	1255	1256	1257	1258	1259	1260	1261	1262	1263	1264	1265	1266	1267	1268	1269	1270	1271	1272
-----	-----	-----	-----	-----	-----	-----	-----	-----	-----	-----	-----	-----	-----	-----	-----	-----	-----	-----	-----	-----	-----	-----	-----	-----	-----	-----	-----	-----	-----	-----	-----	-----	-----	-----	-----	-----	-----	-----	-----	-----	-----	-----	-----	-----	-----	-----	-----	-----	-----	-----	-----	-----	-----	-----	-----	-----	-----	-----	-----	-----	-----	-----	-----	-----	-----	-----	-----	-----	-----	-----	-----	-----	-----	-----	-----	-----	-----	-----	-----	-----	-----	-----	-----	-----	-----	-----	-----	-----	-----	-----	-----	-----	-----	-----	-----	-----	-----	-----	-----	-----	-----	-----	-----	-----	-----	-----	-----	-----	-----	-----	-----	-----	-----	-----	-----	-----	-----	-----	-----	-----	-----	-----	-----	-----	-----	-----	-----	-----	-----	-----	-----	-----	-----	-----	-----	-----	-----	-----	-----	-----	-----	-----	-----	-----	-----	-----	-----	-----	-----	-----	-----	-----	-----	-----	-----	-----	-----	-----	-----	-----	-----	-----	-----	-----	-----	-----	-----	-----	-----	-----	-----	-----	-----	-----	-----	-----	-----	-----	-----	-----	-----	-----	-----	-----	-----	-----	-----	-----	-----	-----	-----	-----	-----	-----	-----	-----	-----	-----	-----	-----	-----	-----	-----	-----	-----	-----	-----	-----	-----	-----	-----	-----	-----	-----	-----	-----	-----	-----	-----	-----	-----	-----	-----	-----	-----	-----	-----	-----	-----	-----	-----	-----	-----	-----	-----	-----	-----	-----	-----	-----	-----	-----	-----	-----	-----	-----	-----	-----	-----	-----	-----	-----	-----	-----	-----	-----	-----	-----	-----	-----	-----	-----	-----	-----	-----	-----	-----	-----	-----	-----	-----	-----	-----	-----	-----	-----	-----	-----	-----	-----	-----	-----	-----	-----	-----	-----	-----	-----	-----	-----	-----	-----	-----	-----	-----	-----	-----	-----	-----	-----	-----	-----	-----	-----	-----	-----	-----	-----	-----	-----	-----	-----	-----	-----	-----	-----	-----	-----	-----	-----	-----	-----	-----	-----	-----	-----	-----	-----	-----	-----	-----	-----	-----	-----	-----	-----	-----	-----	-----	-----	-----	-----	-----	-----	-----	-----	-----	-----	-----	-----	-----	-----	-----	-----	-----	-----	-----	-----	-----	-----	-----	-----	-----	-----	-----	-----	-----	-----	-----	-----	-----	-----	-----	-----	-----	-----	-----	-----	-----	-----	-----	-----	-----	-----	-----	-----	-----	-----	-----	-----	-----	-----	-----	-----	-----	-----	-----	-----	-----	-----	-----	-----	-----	-----	-----	-----	-----	-----	-----	-----	-----	-----	-----	-----	-----	-----	-----	-----	-----	-----	-----	-----	-----	-----	-----	-----	-----	-----	-----	-----	-----	-----	-----	-----	-----	-----	-----	-----	-----	-----	-----	-----	-----	-----	-----	-----	-----	-----	-----	-----	-----	-----	-----	-----	-----	-----	-----	-----	-----	-----	-----	-----	-----	-----	-----	-----	-----	-----	-----	-----	-----	-----	-----	-----	-----	-----	-----	-----	-----	-----	-----	-----	-----	-----	-----	-----	-----	-----	-----	-----	-----	-----	-----	-----	-----	-----	-----	-----	-----	-----	-----	-----	-----	-----	-----	-----	-----	-----	-----	-----	-----	-----	-----	-----	-----	-----	-----	-----	-----	-----	-----	-----	-----	-----	-----	-----	-----	-----	-----	-----	-----	-----	-----	-----	-----	-----	-----	-----	-----	-----	-----	-----	-----	-----	-----	-----	-----	-----	-----	-----	-----	-----	-----	-----	-----	-----	-----	-----	-----	-----	-----	-----	-----	-----	-----	-----	-----	-----	-----	-----	-----	-----	-----	-----	-----	-----	-----	-----	-----	-----	-----	-----	-----	-----	-----	-----	-----	-----	-----	-----	-----	-----	-----	-----	-----	-----	-----	-----	-----	-----	-----	-----	-----	-----	-----	-----	-----	-----	-----	-----	-----	-----	-----	-----	-----	-----	-----	-----	-----	-----	-----	-----	-----	-----	-----	-----	-----	-----	-----	-----	-----	-----	-----	-----	-----	-----	-----	-----	-----	-----	-----	-----	-----	-----	-----	-----	-----	-----	-----	-----	-----	-----	-----	-----	-----	-----	-----	-----	-----	-----	-----	-----	-----	-----	-----	-----	-----	-----	-----	-----	-----	-----	-----	-----	-----	-----	-----	-----	-----	-----	-----	-----	-----	-----	-----	-----	-----	-----	-----	-----	-----	-----	-----	-----	-----	-----	-----	-----	-----	-----	-----	-----	-----	-----	-----	-----	-----	-----	-----	-----	-----	-----	-----	-----	-----	-----	-----	-----	-----	-----	-----	-----	-----	-----	-----	-----	-----	-----	-----	-----	-----	-----	-----	-----	-----	-----	-----	-----	-----	-----	-----	-----	-----	-----	-----	-----	-----	-----	-----	-----	-----	-----	-----	-----	-----	-----	-----	-----	-----	-----	-----	-----	-----	-----	-----	-----	-----	-----	-----	-----	-----	-----	-----	-----	-----	-----	-----	-----	-----	-----	-----	-----	-----	-----	-----	-----	-----	-----	-----	-----	-----	-----	-----	-----	-----	-----	-----	-----	-----	-----	-----	-----	-----	-----	-----	-----	-----	-----	-----	-----	-----	-----	-----	-----	-----	-----	-----	-----	-----	-----	-----	-----	-----	-----	-----	-----	-----	-----	-----	-----	-----	-----	-----	-----	-----	-----	-----	-----	-----	-----	-----	-----	-----	-----	-----	-----	-----	-----	-----	-----	-----	-----	-----	-----	-----	-----	-----	-----	-----	-----	-----	-----	-----	-----	-----	-----	-----	-----	-----	-----	-----	-----	-----	-----	-----	-----	-----	-----	-----	-----	-----	-----	-----	-----	-----	-----	-----	-----	-----	------	------	------	------	------	------	------	------	------	------	------	------	------	------	------	------	------	------	------	------	------	------	------	------	------	------	------	------	------	------	------	------	------	------	------	------	------	------	------	------	------	------	------	------	------	------	------	------	------	------	------	------	------	------	------	------	------	------	------	------	------	------	------	------	------	------	------	------	------	------	------	------	------	------	------	------	------	------	------	------	------	------	------	------	------	------	------	------	------	------	------	------	------	------	------	------	------	------	------	------	------	------	------	------	------	------	------	------	------	------	------	------	------	------	------	------	------	------	------	------	------	------	------	------	------	------	------	------	------	------	------	------	------	------	------	------	------	------	------	------	------	------	------	------	------	------	------	------	------	------	------	------	------	------	------	------	------	------	------	------	------	------	------	------	------	------	------	------	------	------	------	------	------	------	------	------	------	------	------	------	------	------	------	------	------	------	------	------	------	------	------	------	------	------	------	------	------	------	------	------	------	------	------	------	------	------	------	------	------	------	------	------	------	------	------	------	------	------	------	------	------	------	------	------	------	------	------	------	------	------	------	------	------	------	------	------	------	------	------	------	------	------	------	------	------	------	------	------	------	------	------	------	------	------	------	------	------	------	------	------	------	------	------	------	------	------	------	------	------	------	------	------	------

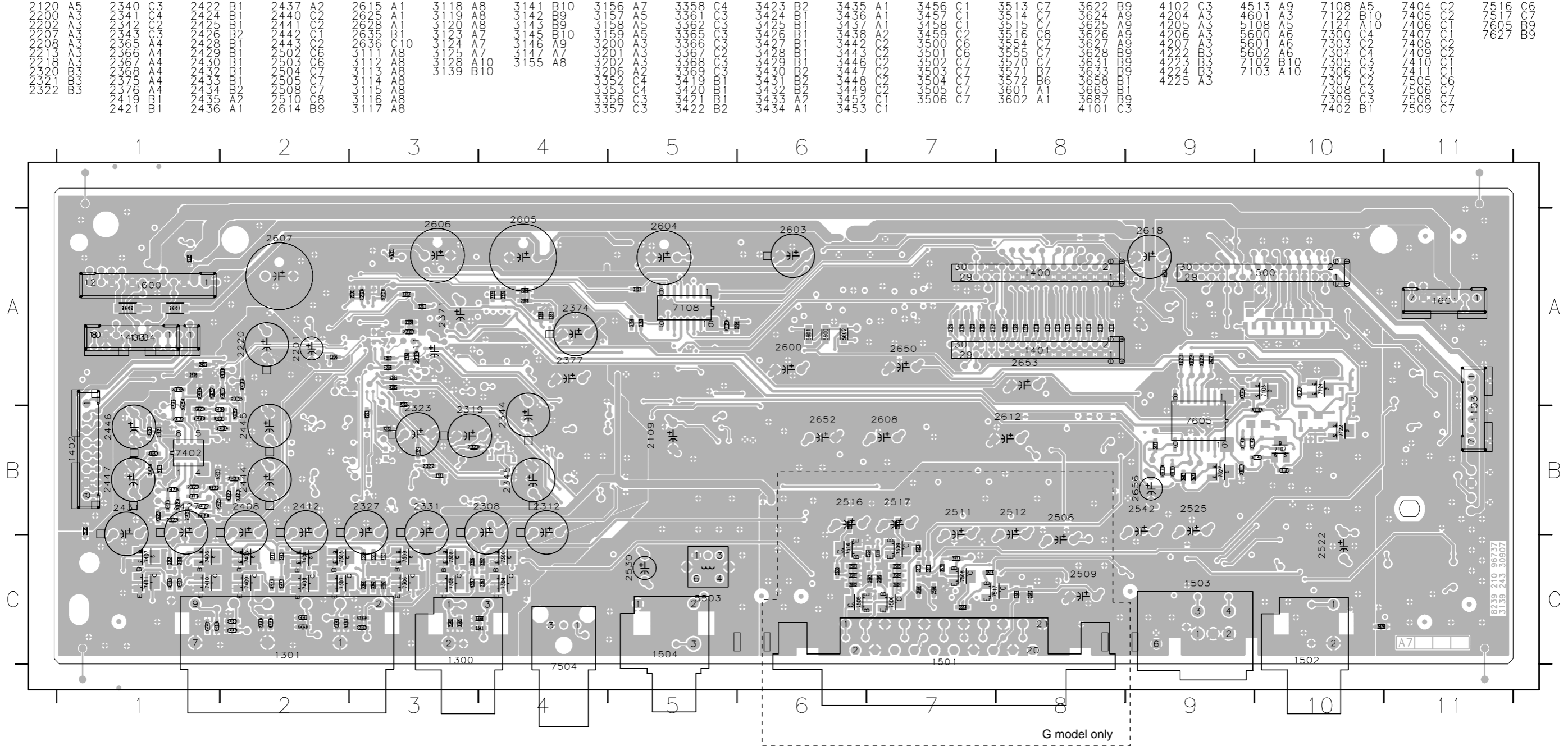
The first digit of a component indicates the component type.

1xxx : Connector 3xxx : Resistor 5xxx : Coil 7xxx : IC, Transistor, FET

2xxx : Capacitor 4xxx : SMD jumper 6xxx : Diode 9xxx : Wire jumper

PRINTED CIRCUIT BOARD FOR INFORMATION ONLY (NO REPLACEMENT PARTS WILL BE AVAILABLE)

AV Board Bottom View

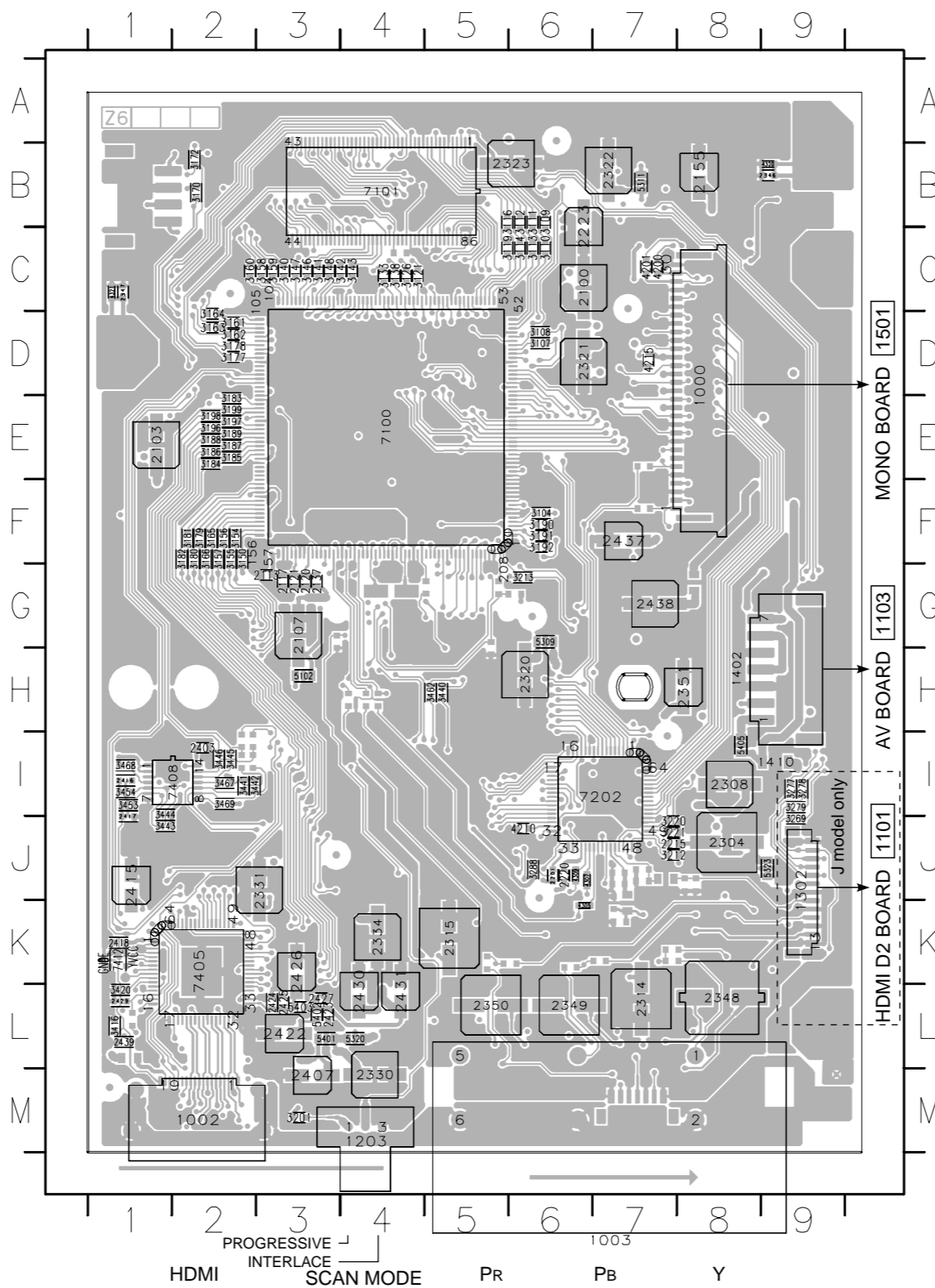


PRINTED CIRCUIT BOARD
FOR INFORMATION ONLY (NO REPLACEMENT PARTS WILL BE AVAILABLE)

The first digit of a component indicates the component type.

- | | | | |
|------------------|-------------------|--------------|----------------------------|
| 1xxx : Connector | 3xxx : Resistor | 5xxx : Coil | 7xxx : IC, Transistor, FET |
| 2xxx : Capacitor | 4xxx : SMD jumper | 6xxx : Diode | 9xxx : Wire jumper |

PSCAN Board Top View



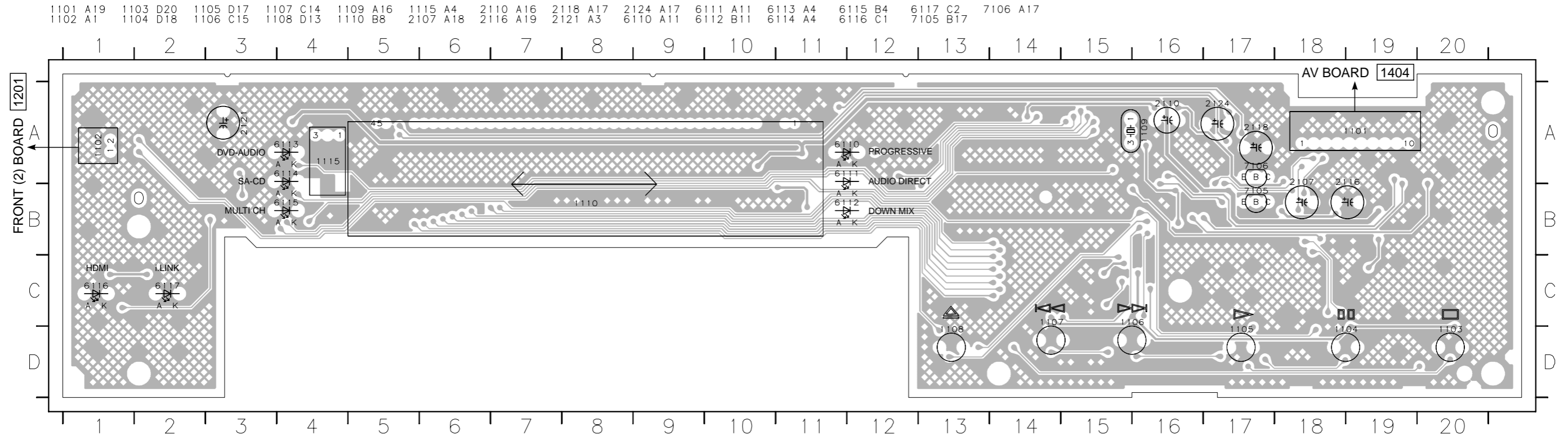
- 1000
 1001
 1002
 1003
 1004
 1005
 1006
 1007
 1008
 1009
 1010
 1011
 1012
 1013
 1014
 1015
 1016
 1017
 1018
 1019
 1020
 1021
 1022
 1023
 1024
 1025
 1026
 1027
 1028
 1029
 1030
 1031
 1032
 1033
 1034
 1035
 1036
 1037
 1038
 1039
 1040
 1041
 1042
 1043
 1044
 1045
 1046
 1047
 1048
 1049
 1050
 1051
 1052
 1053
 1054
 1055
 1056
 1057
 1058
 1059
 1060
 1061
 1062
 1063
 1064
 1065
 1066
 1067
 1068
 1069
 1070
 1071
 1072
 1073
 1074
 1075
 1076
 1077
 1078
 1079
 1080
 1081
 1082
 1083
 1084
 1085
 1086
 1087
 1088
 1089
 1090
 1091
 1092
 1093
 1094
 1095
 1096
 1097
 1098
 1099
 1100
 1101
 1102
 1103
 1104
 1105
 1106
 1107
 1108
 1109
 1110
 1111
 1112
 1113
 1114
 1115
 1116
 1117
 1118
 1119
 1120
 1121
 1122
 1123
 1124
 1125
 1126
 1127
 1128
 1129
 1130
 1131
 1132
 1133
 1134
 1135
 1136
 1137
 1138
 1139
 1140
 1141
 1142
 1143
 1144
 1145
 1146
 1147
 1148
 1149
 1150
 1151
 1152
 1153
 1154
 1155
 1156
 1157
 1158
 1159
 1160
 1161
 1162
 1163
 1164
 1165
 1166
 1167
 1168
 1169
 1170
 1171
 1172
 1173
 1174
 1175
 1176
 1177
 1178
 1179
 1180
 1181
 1182
 1183
 1184
 1185
 1186
 1187
 1188
 1189
 1190
 1191
 1192
 1193
 1194
 1195
 1196
 1197
 1198
 1199
 1200
 1201
 1202
 1203
 1204
 1205
 1206
 1207
 1208
 1209
 1210
 1211
 1212
 1213
 1214
 1215
 1216
 1217
 1218
 1219
 1220
 1221
 1222
 1223
 1224
 1225
 1226
 1227
 1228
 1229
 1230
 1231
 1232
 1233
 1234
 1235
 1236
 1237
 1238
 1239
 1240
 1241
 1242
 1243
 1244
 1245
 1246
 1247
 1248
 1249
 1250
 1251
 1252
 1253
 1254
 1255
 1256
 1257
 1258
 1259
 1260
 1261
 1262
 1263
 1264
 1265
 1266
 1267
 1268
 1269
 1270
 1271
 1272
 1273
 1274
 1275
 1276
 1277
 1278
 1279
 1280
 1281
 1282
 1283
 1284
 1285
 1286
 1287
 1288
 1289
 1290
 1291
 1292
 1293
 1294
 1295
 1296
 1297
 1298
 1299
 1300
 1301
 1302
 1303
 1304
 1305
 1306
 1307
 1308
 1309
 1310
 1311
 1312
 1313
 1314
 1315
 1316
 1317
 1318
 1319
 1320
 1321
 1322
 1323
 1324
 1325
 1326
 1327
 1328
 1329
 1330
 1331
 1332
 1333
 1334
 1335
 1336
 1337
 1338
 1339
 1340
 1341
 1342
 1343
 1344
 1345
 1346
 1347
 1348
 1349
 1350
 1351
 1352
 1353
 1354
 1355
 1356
 1357
 1358
 1359
 1360
 1361
 1362
 1363
 1364
 1365
 1366
 1367
 1368
 1369
 1370
 1371
 1372
 1373
 1374
 1375
 1376
 1377
 1378
 1379
 1380
 1381
 1382
 1383
 1384
 1385
 1386
 1387
 1388
 1389
 1390
 1391
 1392
 1393
 1394
 1395
 1396
 1397
 1398
 1399
 1400
 1401
 1402
 1403
 1404
 1405
 1406
 1407
 1408
 1409
 1410
 1411
 1412
 1413
 1414
 1415
 1416
 1417
 1418
 1419
 1420
 1421
 1422
 1423
 1424
 1425
 1426
 1427
 1428
 1429
 1430
 1431
 1432
 1433
 1434
 1435
 1436
 1437
 1438
 1439
 1440
 1441
 1442
 1443
 1444
 1445
 1446
 1447
 1448
 1449
 1450
 1451
 1452
 1453
 1454
 1455
 1456
 1457
 1458
 1459
 1460
 1461
 1462
 1463
 1464
 1465
 1466
 1467
 1468
 1469
 1470
 1471
 1472
 1473
 1474
 1475
 1476
 1477
 1478
 1479
 1480
 1481
 1482
 1483
 1484
 1485
 1486
 1487
 1488
 1489
 1490
 1491
 1492
 1493
 1494
 1495
 1496
 1497
 1498
 1499
 1500
 1501
 1502
 1503
 1504
 1505
 1506
 1507
 1508
 1509
 1510
 1511
 1512
 1513
 1514
 1515
 1516
 1517
 1518
 1519
 1520
 1521
 1522
 1523
 1524
 1525
 1526
 1527
 1528
 1529
 1530
 1531
 1532
 1533
 1534
 1535
 1536
 1537
 1538
 1539
 1540
 1541
 1542
 1543
 1544
 1545
 1546
 1547
 1548
 1549
 1550
 1551
 1552
 1553
 1554
 1555
 1556
 1557
 1558
 1559
 1560
 1561
 1562
 1563
 1564
 1565
 1566
 1567
 1568
 1569
 1570
 1571
 1572
 1573
 1574
 1575
 1576
 1577
 1578
 1579
 1580
 1581
 1582
 1583
 1584
 1585
 1586
 1587
 1588
 1589
 1590
 1591
 1592
 1593
 1594
 1595
 1596
 1597
 1598
 1599
 1600

■ PRINTED CIRCUIT BOARD
 FOR INFORMATION ONLY (NO REPLACEMENT PARTS WILL BE AVAIL-
 ABLE)

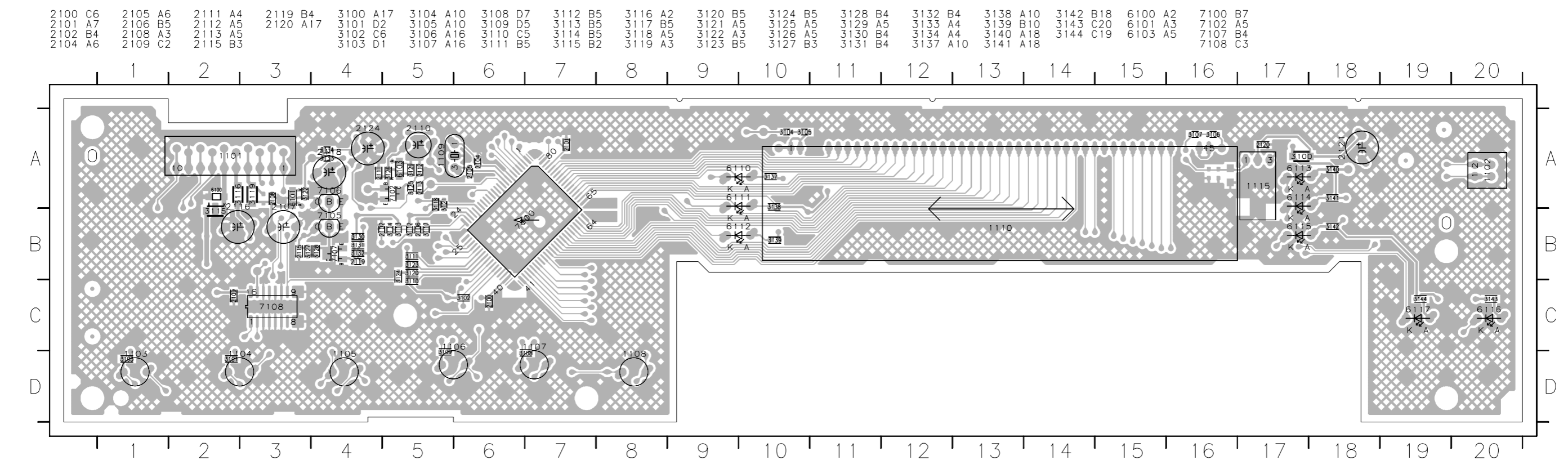
The first digit of a component indicates the component type.

- 1xxx : Connector 3xxx : Resistor 5xxx : Coil 7xxx : IC, Transistor, FET
- 2xxx : Capacitor 4xxx : SMD jumper 6xxx : Diode 9xxx : Wire jumper

FRONT (1) DISPLAY Board Top View

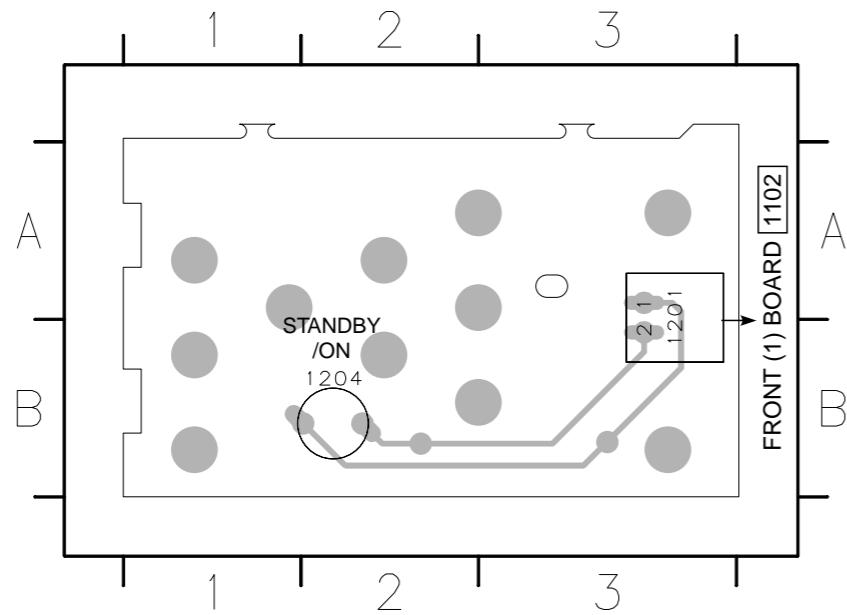


FRONT (1) DISPLAY Board Bottom View



■ PRINTED CIRCUIT BOARD
FOR INFORMATION ONLY (NO REPLACEMENT PARTS WILL BE AVAILABLE)

FRONT (2) STANDBY Board Top View



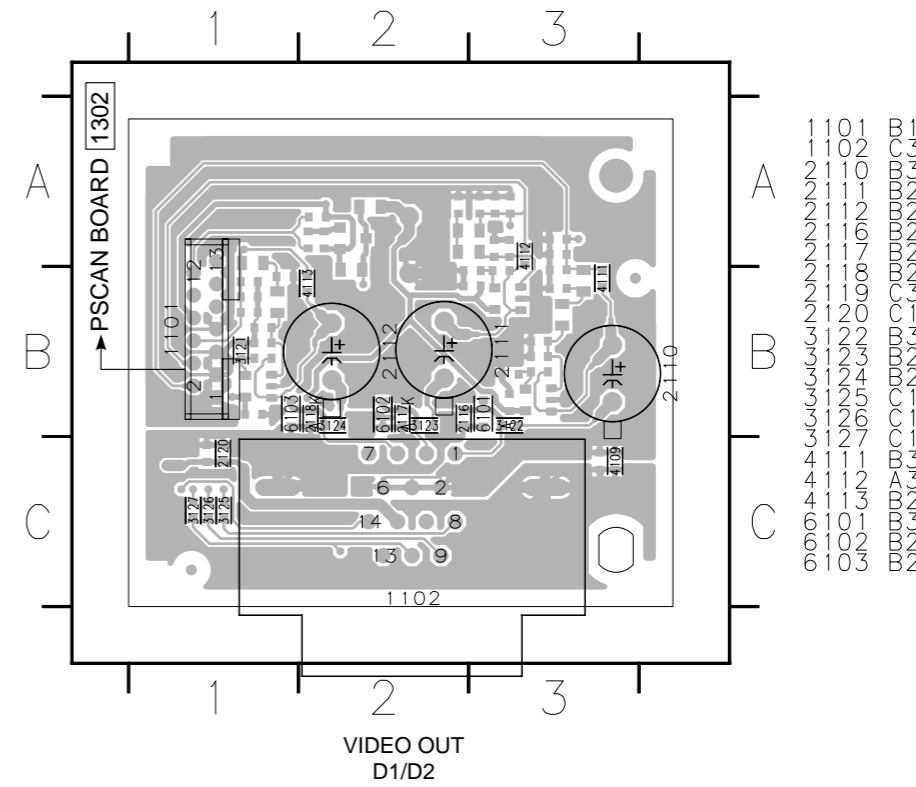
1201 A3
1204 B2

The first digit of a component indicates the component type.

- 1xxx : Connector 3xxx : Resistor 5xxx : Coil 7xxx : IC, Transistor, FET
- 2xxx : Capacitor 4xxx : SMD jumper 6xxx : Diode 9xxx : Wire jumper

HDMI D2 Board Top View

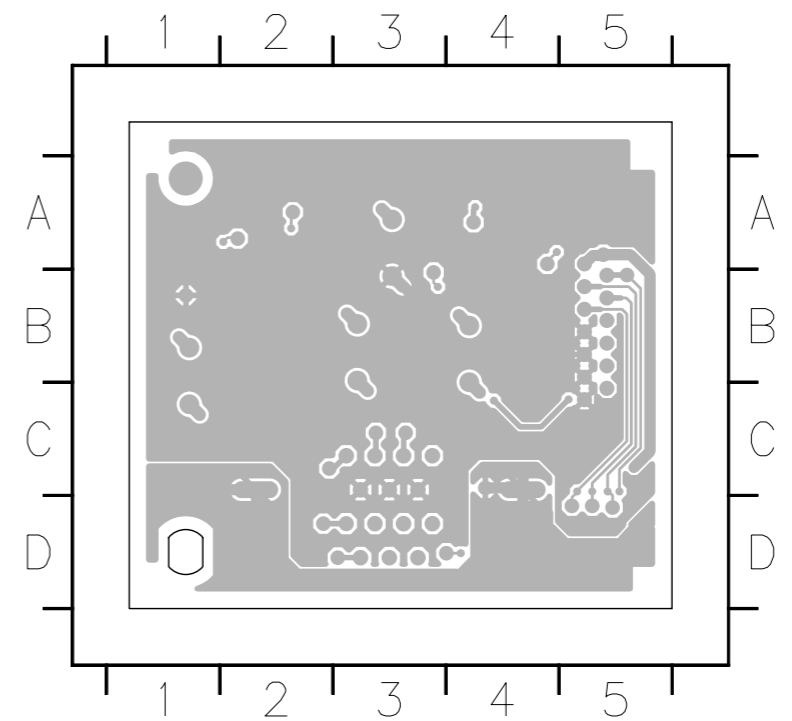
(J model only)



1101 A3
1102 B2
1103 A3
1104 B2
1105 A3
1106 B2
1107 A3
1108 B2
1109 A3
1110 B2
1111 A3
1112 B2
1113 A3
1114 B2
1115 A3
1116 B2
1117 A3
1118 B2
1119 A3
1120 B2
1121 A3
1122 B2
1123 A3
1124 B2
1125 A3
1126 B2
1127 A3
1128 B2
1129 A3
1130 B2
1131 A3
1132 B2
1133 A3
1134 B2
1135 A3
1136 B2
1137 A3
1138 B2
1139 A3
1140 B2
1141 A3
1142 B2
1143 A3
1144 B2
1145 A3
1146 B2
1147 A3
1148 B2
1149 A3
1150 B2
1151 A3
1152 B2
1153 A3
1154 B2
1155 A3
1156 B2
1157 A3
1158 B2
1159 A3
1160 B2
1161 A3
1162 B2
1163 A3
1164 B2
1165 A3
1166 B2
1167 A3
1168 B2
1169 A3
1170 B2
1171 A3
1172 B2
1173 A3
1174 B2
1175 A3
1176 B2
1177 A3
1178 B2
1179 A3
1180 B2
1181 A3
1182 B2
1183 A3
1184 B2
1185 A3
1186 B2
1187 A3
1188 B2
1189 A3
1190 B2
1191 A3
1192 B2
1193 A3
1194 B2
1195 A3
1196 B2
1197 A3
1198 B2
1199 A3
1200 B2

HDMI D2 Bottom View

(J model only)

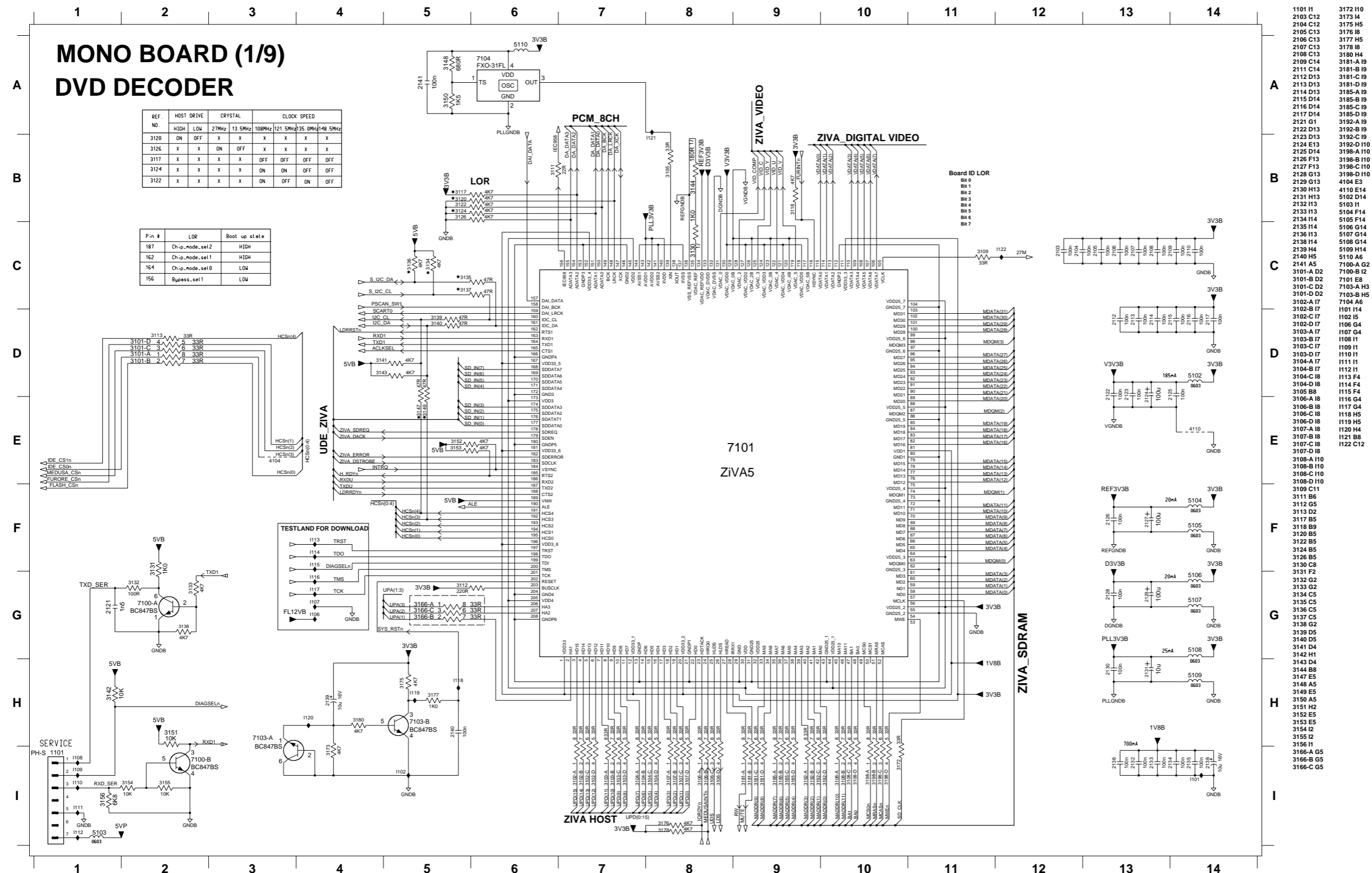


The first digit of a component indicates the component type.

1xxx : Connector 3xxx : Resistor 5xxx : Coil 7xxx : IC, Transistor, FET

2xxx : Capacitor 4xxx : SMD jumper 6xxx : Diode 9xxx : Wire jumper

■ SCHEMATIC DIAGRAM
FOR INFORMATION ONLY (NO REPLACEMENT PARTS WILL BE AVAILABLE)



- 1101 H1
- 2103 C12
- 2104 C12
- 2105 C13
- 2106 C13
- 2107 C13
- 2108 C13
- 2109 C14
- 2111 C14
- 2112 D13
- 2113 D13
- 2114 D13
- 2115 D14
- 2116 D14
- 2117 D14
- 2121 G1
- 2122 D13
- 2123 D13
- 2124 E13
- 2125 D14
- 2126 F13
- 2127 F13
- 2128 G13
- 2129 G13
- 2130 H13
- 2131 H13
- 2132 H13
- 2133 H14
- 2134 H4
- 2135 H4
- 2136 H3
- 2138 H4
- 2139 H4
- 2140 H5
- 2141 A5
- 3101-A D2
- 3101-B D2
- 3101-C D2
- 3101-D D2
- 3102-A I7
- 3102-B I7
- 3102-C I7
- 3102-D I7
- 3103-A I7
- 3103-B I7
- 3103-C I7
- 3103-D I7
- 3104-A I7
- 3104-B I7
- 3104-C I8
- 3104-D I8
- 3105 B8
- 3105-A I8
- 3106-B I8
- 3106-C I8
- 3106-D I8
- 3107-A I8
- 3107-B I8
- 3107-C I8
- 3107-D I8
- 3108-A I10
- 3108-B I10
- 3108-C I10
- 3108-D I10
- 3109 C11
- 3111 B5
- 3112 G5
- 3113 D2
- 3117 B5
- 3118 B9
- 3120 B5
- 3122 B5
- 3124 B5
- 3126 B5
- 3130 C8
- 3131 F2
- 3132 G2
- 3133 G2
- 3134 C5
- 3135 C5
- 3136 C5
- 3137 C5
- 3138 G2
- 3139 D5
- 3141 D4
- 3142 H1
- 3143 D4
- 3144 B8
- 3147 E5
- 3148 A5
- 3149 E5
- 3150 A5
- 3151 H2
- 3152 E5
- 3153 E5
- 3154 I2
- 3155 I2
- 3156 H1
- 3166-A G5
- 3166-B G5
- 3166-C G5

POWER:
3V3B(GNDB), (385mA)
->V3V3B(VGNDB)
->D3V3B(DGNDB)
->REF3V3B(REFGNDB)
->PLL3V3B(PLLGNDB)
1V8B(GNDB), (650mA)
5V8(GNDB)

* Components having special characteristics are marked Δ and must be replaced with parts having specifications equal to those originally installed.
* Schematic diagram is subject to change without notice.

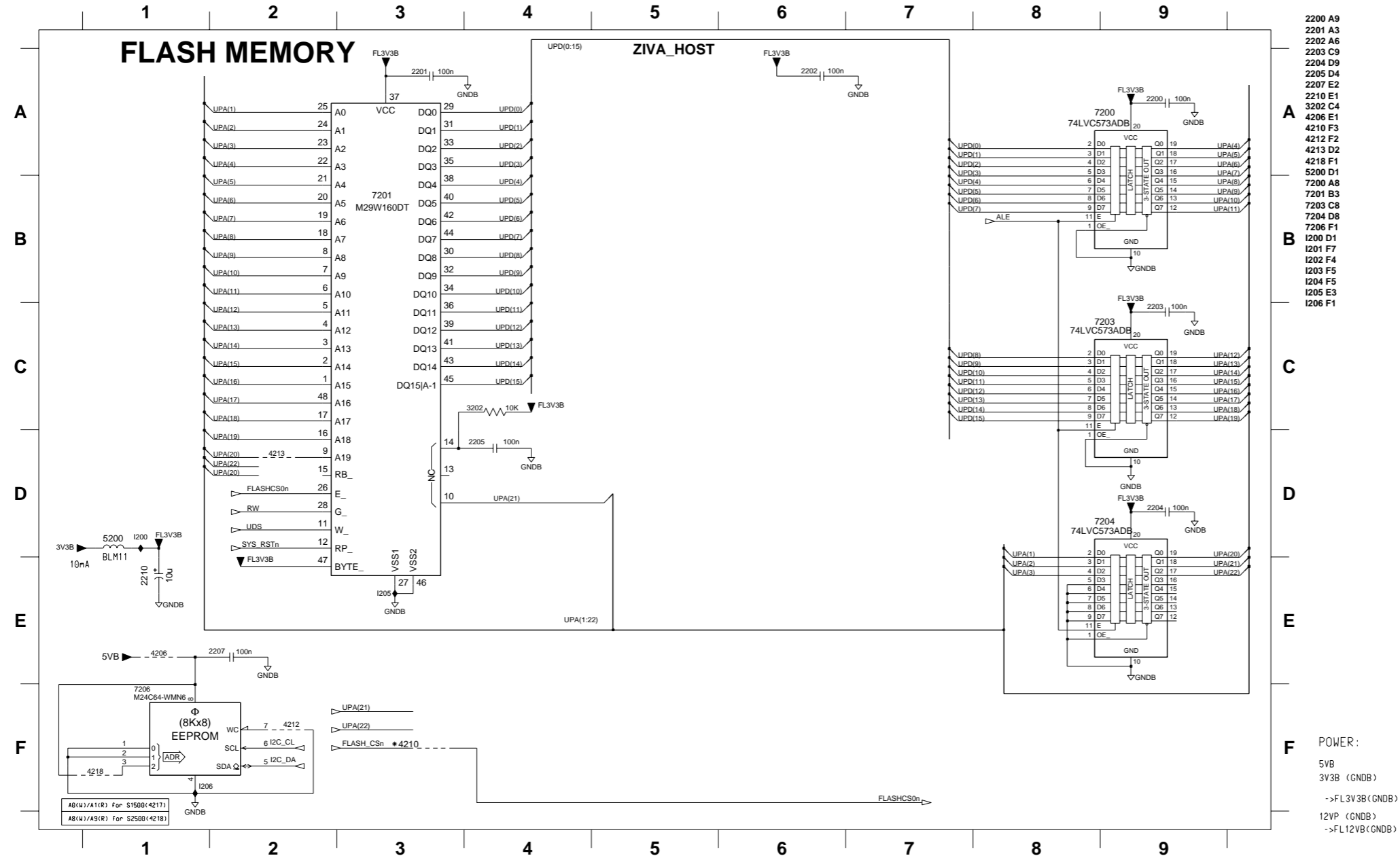
* Δ 印のある部品は、安全性確保部品を示しています。部品の交換が必要な場合、パーツリストに記載されている部品を使用してください。
* 本回路図は、標準回路図です。改良のため予告なく変更することがございます。

■ SCHEMATIC DIAGRAM
FOR INFORMATION ONLY (NO REPLACEMENT PARTS WILL BE AVAILABLE)

MONO BOARD (2/9)

The first digit of a component indicates the component type.

1xxx : Connector 3xxx : Resistor 5xxx : Coil 7xxx : IC, Transistor, FET
2xxx : Capacitor 4xxx : SMD jumper 6xxx : Diode 9xxx : Wire jumper



- 2200 A9
- 2201 A3
- 2202 A6
- 2203 C9
- 2204 D9
- 2205 D4
- 2207 E2
- 2210 E1
- 3202 C4
- 4206 E1
- 4210 F3
- 4212 F2
- 4213 D2
- 4218 F1
- 5200 D1
- 7200 A8
- 7201 B3
- 7203 C8
- 7204 D8
- 7206 F1
- I200 D1
- I201 F7
- I202 F4
- I203 F5
- I204 F5
- I205 E3
- I206 F1

- POWER:
- 5VB
 - 3V3B (GNDB)
 - >FL3V3B(GNDB)
 - 12VP (GNDB)
 - >FL12VB(GNDB)

FLASH TYPE	16Mbits A(0:19)	32Mbits A(0:20)	64Mbits A(0:21)
ST	M29W160	M29W320	M29W641
MACRONIX	MX29LV160	MX29LV320	
Light	M29K016E	M29K032E	M29K064E

JUMPER	1 x 16Mb	1 x 32Mb	1 x 64Mb	1x64Mb LIGHT	2 x 16Mb	32Mb + 16Mb
*4202	OFF	OFF	OFF	ON	OFF	OFF
*4203	OFF	OFF	OFF	ON	OFF	OFF
*4204	OFF	OFF	OFF	ON	OFF	OFF
*4205	OFF	OFF	OFF	OFF	ON	OFF
*4208	OFF	OFF	OFF	OFF	ON	OFF
*4209	OFF	OFF	OFF	OFF	ON	OFF
*4210	ON	ON	ON	ON	OFF	OFF
*4211	OFF	OFF	OFF	OFF	ON	ON
*4213	ON	ON	OFF	ON	ON	ON
*4214	OFF	OFF	ON	OFF	OFF	OFF
*4215	OFF	OFF	ON	OFF	OFF	OFF
*4216	OFF	OFF	OFF	ON	OFF	OFF

FLASH_CS#n	UPA21/UPA22	FLASH_CS#n	FLASH_CS#n
1	x	1	1
0	0	0	1
0	1	1	0

* Components having special characteristics are marked Δ and must be replaced with parts having specifications equal to those originally installed.
* Schematic diagram is subject to change without notice.

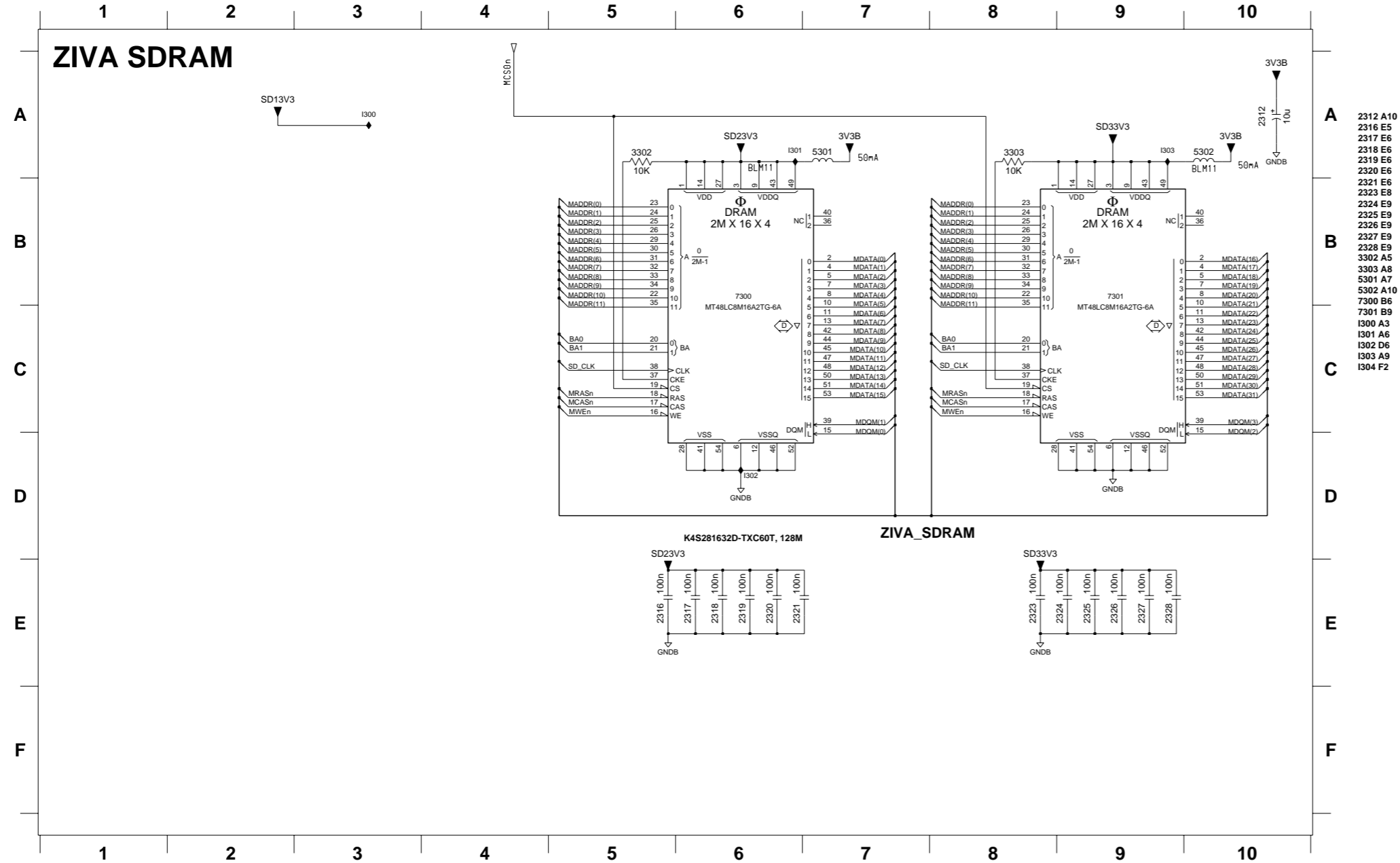
* Δ 印のある部品は、安全性確保部品を示しています。部品の交換が必要な場合、パーツリストに記載されている部品を使用してください。
* 本回路図は、標準回路図です。改良のため予告なく変更することがございます。

■ SCHEMATIC DIAGRAM
FOR INFORMATION ONLY (NO REPLACEMENT PARTS WILL BE AVAILABLE)

MONO BOARD (3/9)

The first digit of a component indicates the component type.

- 1xxx : Connector 3xxx : Resistor 5xxx : Coil 7xxx : IC, Transistor, FET
- 2xxx : Capacitor 4xxx : SMD jumper 6xxx : Diode 9xxx : Wire jumper



- 2312 A10
- 2316 E5
- 2317 E6
- 2318 E6
- 2319 E6
- 2320 E6
- 2321 E6
- 2322 E8
- 2323 E8
- 2324 E9
- 2325 E9
- 2326 E9
- 2327 E9
- 2328 E9
- 3302 A5
- 3303 A8
- 5301 A7
- 5302 A10
- 7300 B6
- 7301 B9
- I300 A3
- I301 A6
- I302 D6
- I303 A9
- I304 F2

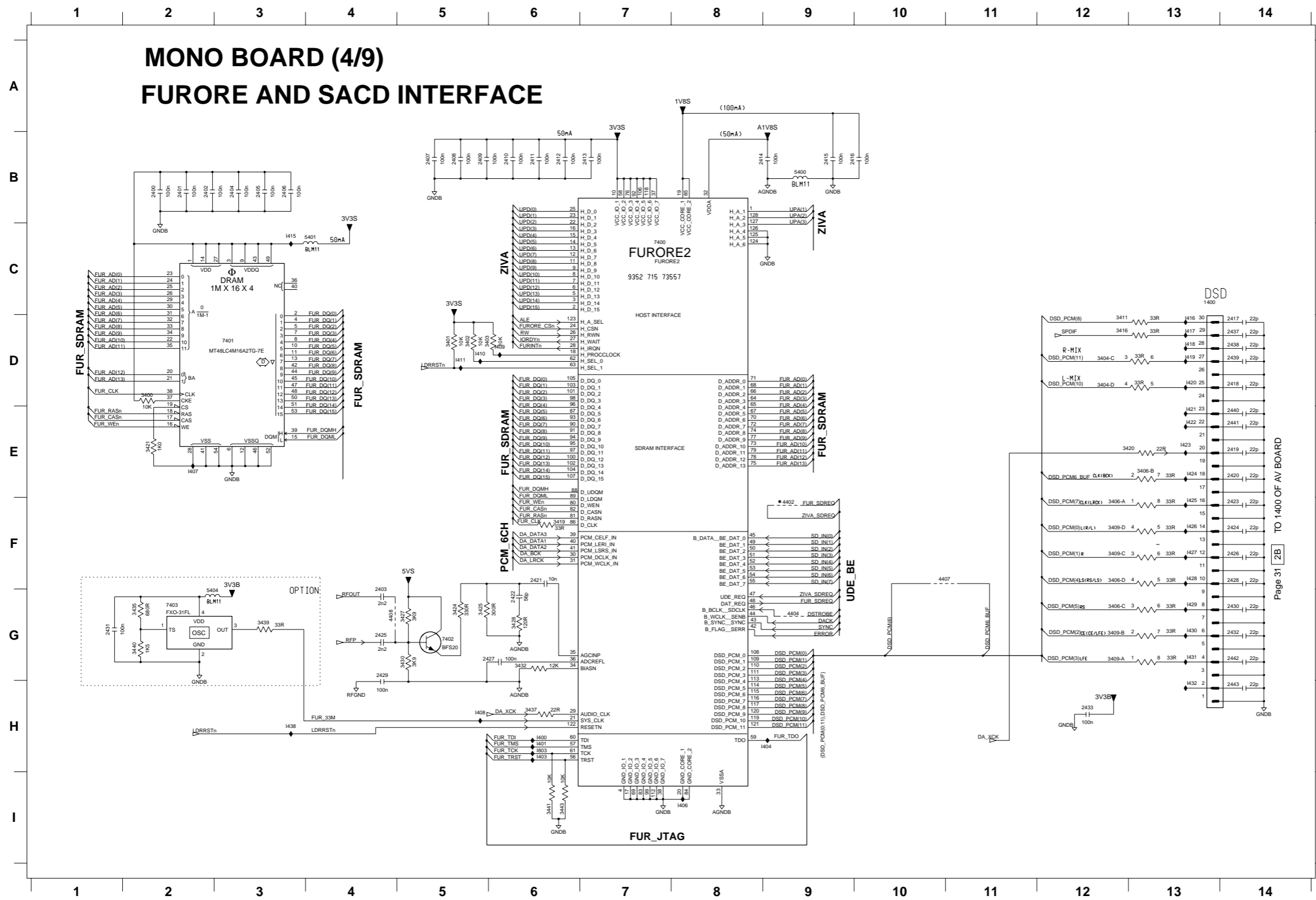
POWER :
3V3B (GND)
->SD13V3 (GND)
->SD23V3 (GND)
->SD33V3 (GND)

* Components having special characteristics are marked Δ and must be replaced with parts having specifications equal to those originally installed.
* Schematic diagram is subject to change without notice.

* Δ 印のある部品は、安全性確保部品を示しています。部品の交換が必要な場合、パーツリストに記載されている部品を使用してください。
* 本回路図は、標準回路図です。改良のため予告なく変更することがございます。

■ SCHEMATIC DIAGRAM
FOR INFORMATION ONLY (NO REPLACEMENT PARTS WILL BE AVAILABLE)

The first digit of a component indicates the component type.
1xxx : Connector 3xxx : Resistor 5xxx : Coil 7xxx : IC, Transistor, FET
2xxx : Capacitor 4xxx : SMD jumper 6xxx : Diode 9xxx : Wire jumper



- 1400 C13
- 2400 B2
- 2401 B2
- 2402 B2
- 2403 G4
- 2404 B3
- 2405 B3
- 2406 B3
- 2407 B5
- 2408 B5
- 2409 B5
- 2410 B6
- 2411 B6
- 2412 B6
- 2413 B7
- 2414 B8
- 2415 B9
- 2416 B9
- 2417 D14
- 2418 D14
- 2419 E14
- 2420 E14
- 2421 F6
- 2422 G6
- 2423 F14
- 2424 F14
- 2425 G4
- 2426 F14
- 2427 G6
- 2428 F14
- 2429 G4
- 2430 G14
- 2431 G1
- 2432 G14
- 2433 H12
- 2437 D14
- 2438 D14
- 2439 D14
- 2440 E14
- 2441 E14
- 2442 G14
- 2443 H14
- 3400 D2
- 3401 D5
- 3402 D5
- 3403 D6
- 3404-C D12
- 3404-D D12
- 3406-A F12
- 3406-B E13
- 3406-C G12
- 3406-D F12
- 3409-A G12
- 3409-B G12
- 3409-C F12
- 3409-D F12
- 3411 D12
- 3416 D12
- 3418 E10
- 3419 F6
- 3420 E13
- 3421 E2
- 3424 G5
- 3425 G5
- 3427 G5
- 3428 G6
- 3430 G5
- 3432 G6
- 3435 G2
- 3437 H6
- 3439 G3
- 3440 G2
- 3441 H6
- 3443 H6
- 4402 F9
- 4404 G9
- 4407 F10
- 4408 G4
- 5400 B9
- 5401 C4
- 5404 G2
- 7400 C7
- 7401 D3
- 7402 G5
- 7403 G2
- 1400 H6
- 1401 H6
- 1403 H6
- 1404 H9
- 1406 H8
- 1407 E2
- 1408 H5
- 1409 D6
- 1410 D5
- 1411 D5
- 1415 C3
- 1416 D13
- 1417 D13
- 1418 D13
- 1419 D13
- 1420 D13
- 1421 E13
- 1422 E13
- 1423 E13
- 1424 E13
- 1425 F13
- 1426 F13
- 1427 F13
- 1428 F13
- 1429 G13
- 1430 G13
- 1431 G13
- 1432 H13
- 1433 H3
- 1803 H6

POWER:
3V3S (GNDB) (50mA + 50mA)
1V8S (GNDB) (100mA)
A1V8S (AGNDB) (50mA)
5VS (AGNDB)
(RFGND)

* Components having special characteristics are marked Δ and must be replaced with parts having specifications equal to those originally installed.
* Schematic diagram is subject to change without notice.

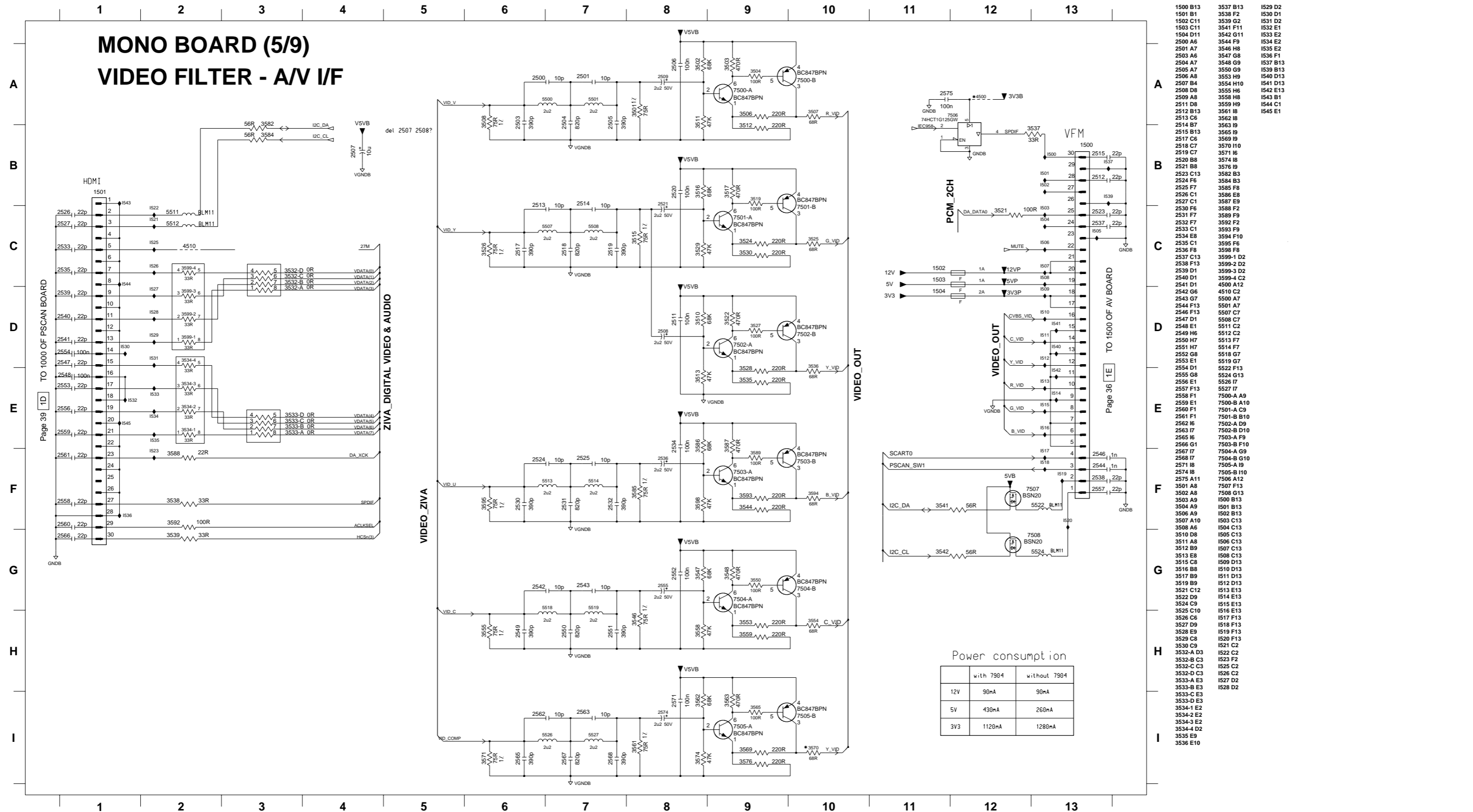
* Δ 印のある部品は、安全性確保部品を示しています。部品の交換が必要な場合、パーツリストに記載されている部品を使用してください。
* 本回路図は、標準回路図です。改良のため予告なく変更することがございます。

Page 31 | 2B | TO 1400 OF AV BOARD

■ SCHEMATIC DIAGRAM
FOR INFORMATION ONLY (NO REPLACEMENT PARTS WILL BE AVAILABLE)

The first digit of a component indicates the component type.

- 1xxx : Connector 3xxx : Resistor 5xxx : Coil 7xxx : IC, Transistor, FET
- 2xxx : Capacitor 4xxx : SMD jumper 6xxx : Diode 9xxx : Wire jumper



Power consumption

	with 7904	without 7904
12V	90mA	90mA
5V	430mA	260mA
3V3	1120mA	1280mA

POWER :
12VP (GNDB)
->12V (GNDB)
5VP (GNDB)
->5V (GNDB)
3V3P (GNDB)
->3V (GNDB)
5VB (GNDB)
3V3B (GNDB)
V5VB (GNDB)

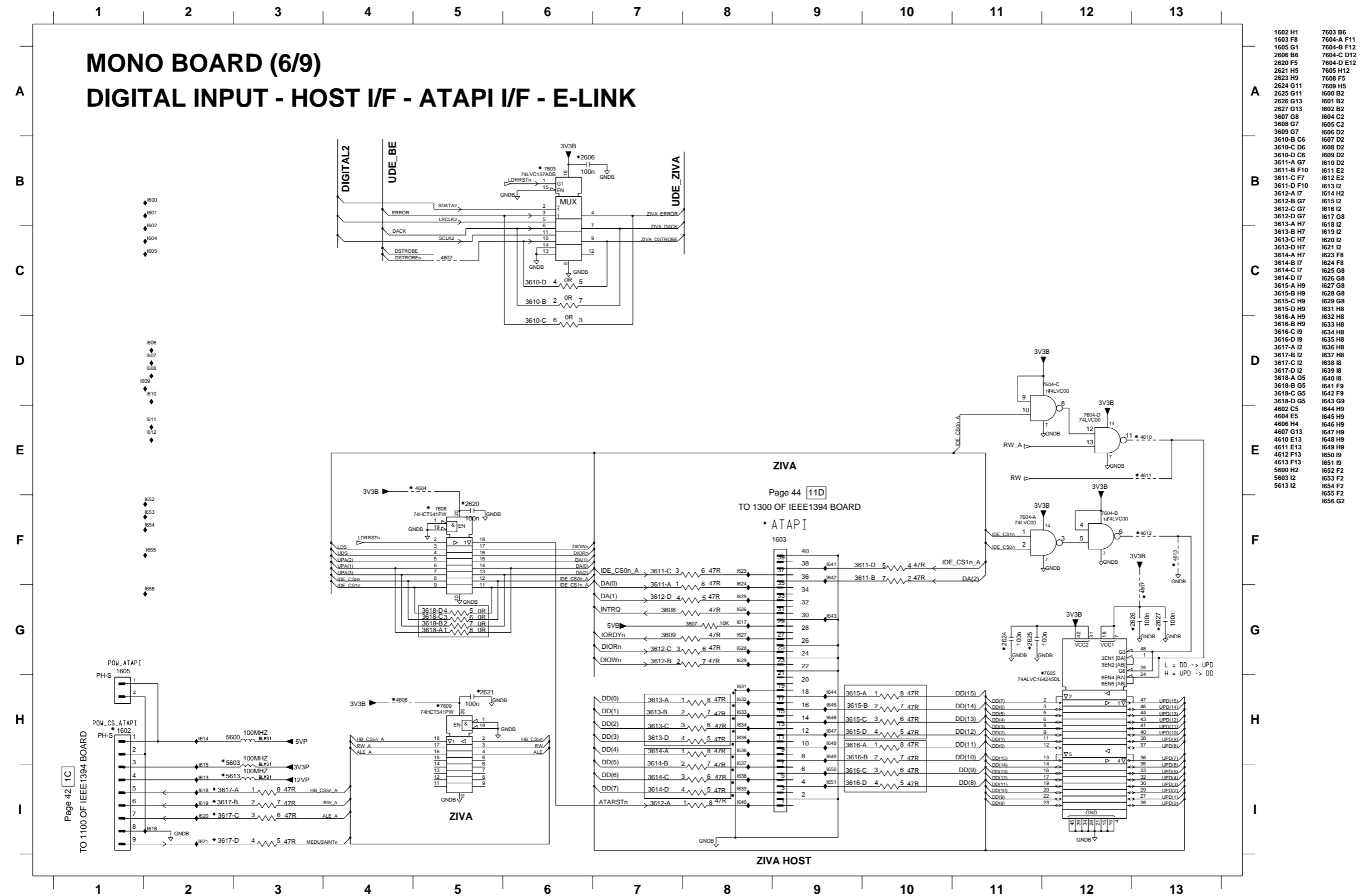
* Components having special characteristics are marked Δ and must be replaced with parts having specifications equal to those originally installed.
* Schematic diagram is subject to change without notice.

* Δ 印のある部品は、安全性確保部品を示しています。部品の交換が必要な場合、パーツリストに記載されている部品を使用してください。
* 本回路図は、標準回路図です。改良のため予告なく変更することがございます。

■ SCHEMATIC DIAGRAM
FOR INFORMATION ONLY (NO REPLACEMENT PARTS WILL BE AVAILABLE)

The first digit of a component indicates the component type.

1xxx : Connector 3xxx : Resistor 5xxx : Coil 7xxx : IC, Transistor, FET
2xxx : Capacitor 4xxx : SMD jumper 6xxx : Diode 9xxx : Wire jumper



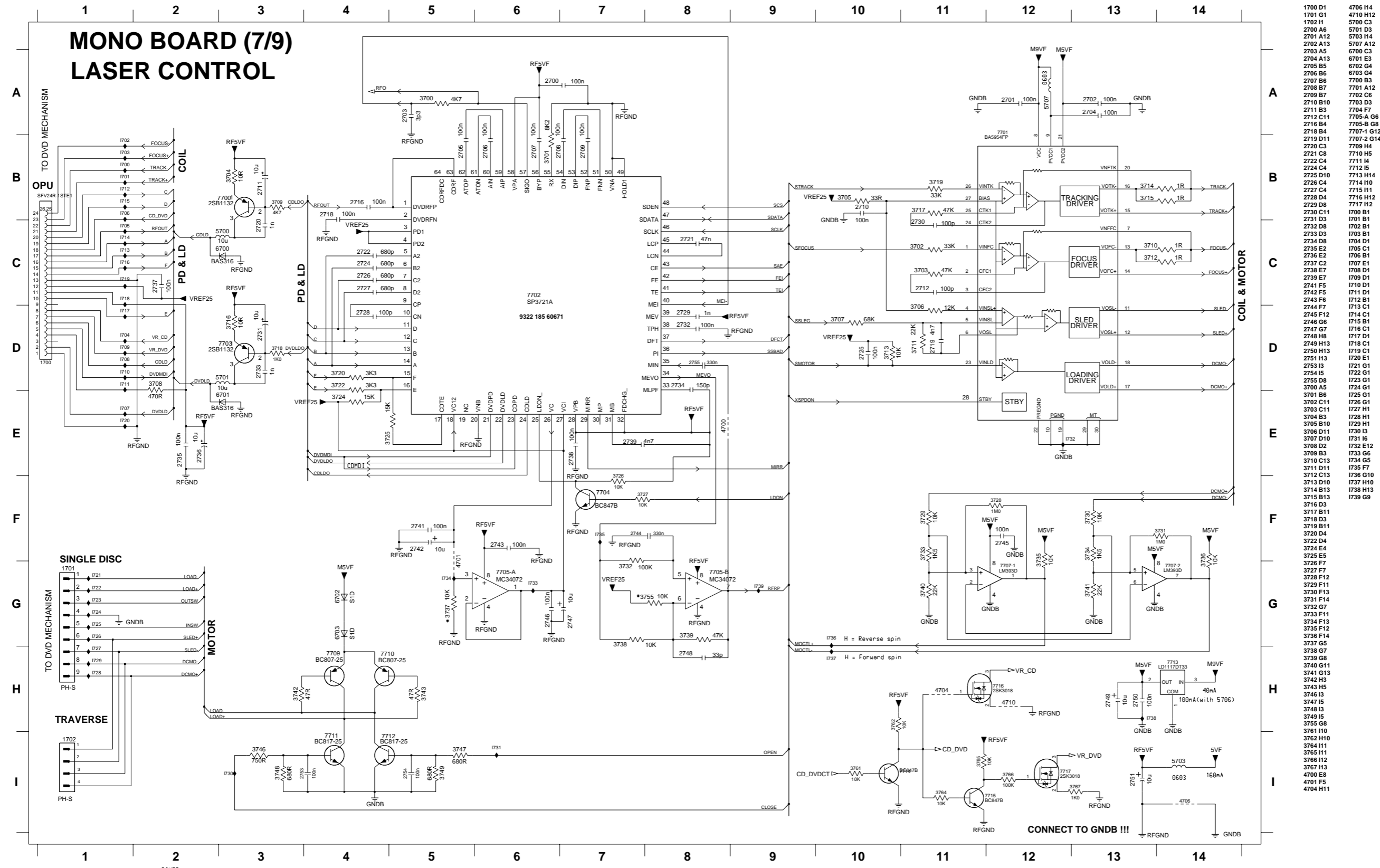
* Components having special characteristics are marked Δ and must be replaced with parts having specifications equal to those originally installed.
* Schematic diagram is subject to change without notice.

* Δ 印のある部品は、安全性確保部品を示しています。部品の交換が必要な場合、パーツリストに記載されている部品を使用してください。
* 本回路図は、標準回路図です。改良のため予告なく変更することがございます。

■ SCHEMATIC DIAGRAM FOR INFORMATION ONLY (NO REPLACEMENT PARTS WILL BE AVAILABLE)

The first digit of a component indicates the component type.

- 1xxx : Connector 3xxx : Resistor 5xxx : Coil 7xxx : IC, Transistor, FET
- 2xxx : Capacitor 4xxx : SMD jumper 6xxx : Diode 9xxx : Wire jumper



- 1700 D1
- 1701 G1
- 1702 H1
- 1703 H2
- 1704 A6
- 1705 A12
- 1706 A13
- 1707 A5
- 1708 A3
- 1709 B5
- 1710 B6
- 1711 B7
- 1712 B10
- 1713 B3
- 1714 C11
- 1715 B4
- 1716 B4
- 1717 D11
- 1718 C3
- 1719 C8
- 1720 C1
- 1721 C8
- 1722 C4
- 1723 D10
- 1724 C4
- 1725 D10
- 1726 C4
- 1727 C4
- 1728 D4
- 1729 D8
- 1730 C11
- 1731 D3
- 1732 D8
- 1733 D3
- 1734 D8
- 1735 C1
- 1736 E2
- 1737 C2
- 1738 E7
- 1739 E7
- 1740 F5
- 1741 F5
- 1742 F5
- 1743 F6
- 1744 F7
- 1745 F12
- 1746 G6
- 1747 G7
- 1748 H8
- 1749 H13
- 1750 H13
- 1751 H3
- 1752 G1
- 1753 I3
- 1754 I5
- 1755 D8
- 1756 A5
- 1757 A5
- 1758 G1
- 1759 C11
- 1760 B3
- 1761 B3
- 1762 B10
- 1763 D11
- 1764 D10
- 1765 D2
- 1766 B3
- 1767 D3
- 1768 D3
- 1769 B3
- 1770 D10
- 1771 I6
- 1772 E12
- 1773 G6
- 1774 C13
- 1775 G5
- 1776 D11
- 1777 C13
- 1778 D10
- 1779 H10
- 1780 B13
- 1781 H13
- 1782 D3
- 1783 D3
- 1784 D3
- 1785 B11
- 1786 D3
- 1787 B11
- 1788 D4
- 1789 D4
- 1790 E4
- 1791 E5
- 1792 F7
- 1793 F7
- 1794 F12
- 1795 F11
- 1796 F13
- 1797 G7
- 1798 F11
- 1799 F13
- 1800 F12
- 1801 G5
- 1802 G5
- 1803 G8
- 1804 G11
- 1805 G13
- 1806 H3
- 1807 H5
- 1808 I3
- 1809 I3
- 1810 H0
- 1811 H10
- 1812 H11
- 1813 H11
- 1814 H2
- 1815 H3
- 1816 H3
- 1817 H3
- 1818 F5
- 1819 F5
- 1820 H11

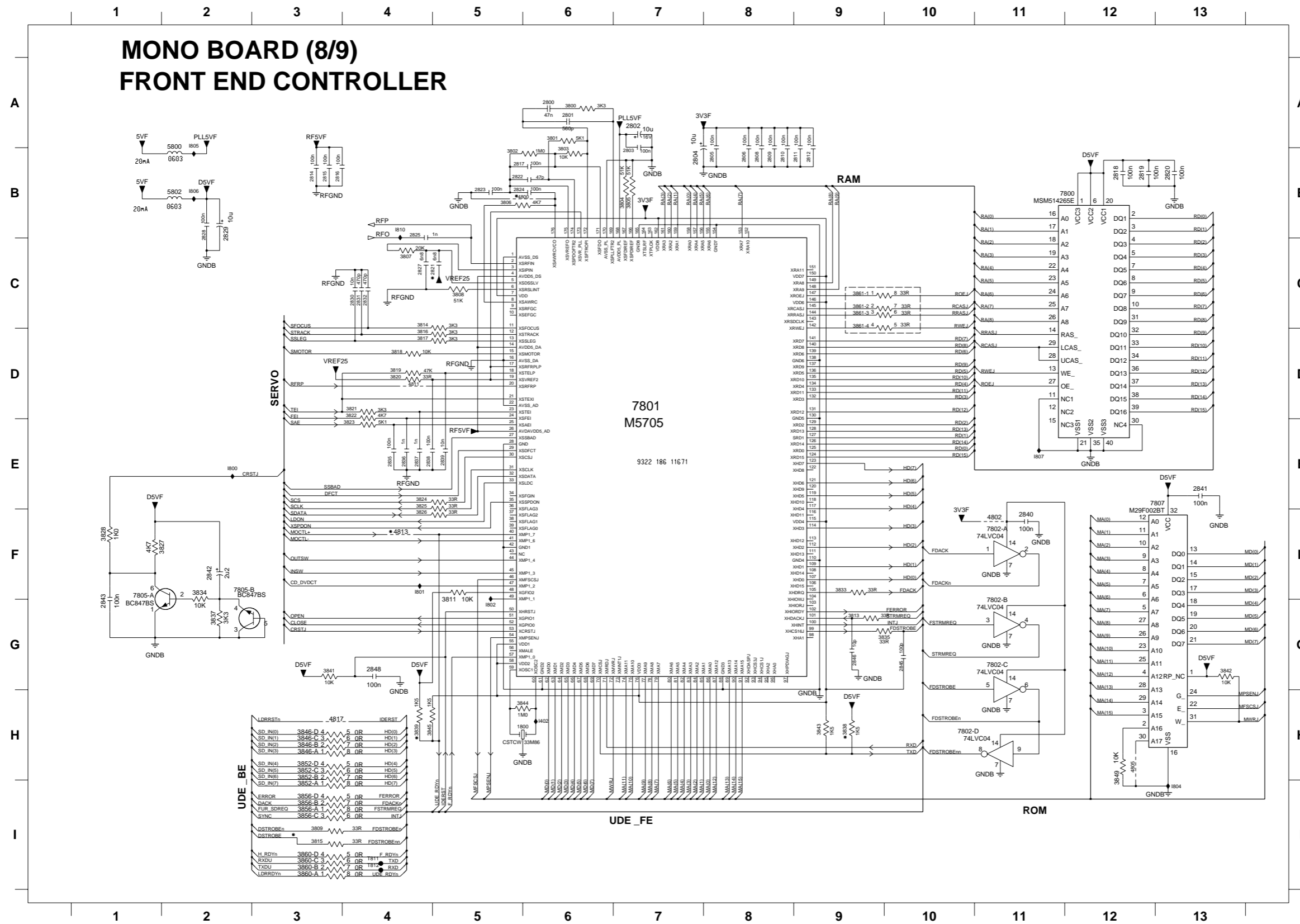
POWER:
 M9VF (GNDB)
 5VF (GNDB)
 ->RF5VF (RFGND)
 ->M5VF (GNDB)

* Components having special characteristics are marked Δ and must be replaced with parts having specifications equal to those originally installed.
 * Schematic diagram is subject to change without notice.

* Δ 印のある部品は、安全性確保部品を示しています。部品の交換が必要な場合、パーツリストに記載されている部品を使用してください。
 * 本回路図は、標準回路図です。改良のため予告なく変更することがございます。

SCHEMATIC DIAGRAM FOR INFORMATION ONLY (NO REPLACEMENT PARTS WILL BE AVAILABLE)

The first digit of a component indicates the component type. 1xxx : Connector 3xxx : Resistor 5xxx : Coil 7xxx : IC, Transistor, FET 2xxx : Capacitor 4xxx : SMD jumper 6xxx : Diode 9xxx : Wire jumper



- 1800 H5 5802 B2
2800 A6 7800 B12
2801 A6 7801 D7
2802 A7 7802-A G11
2803 B7 7802-B G11
2804 B7 7802-C G11
2805 B8 7802-D H11
2806 B8 7805-A F1
2808 B8 7805-B F3
2809 B8 7807 E13
2810 B8 I402 H6
2811 B8 I800 E2
2812 B9 I801 F4
2814 B3 I802 G5
2815 B3 I804 H3
2816 B3 I805 A2
2817 B5 I806 B2
2818 B12 I807 E11
2819 B12 I810 B4
2820 B13 T811 I4
2821 C5 T812 I4
2822 B5
2823 B5
2824 B5
2825 B4
2827 C4
2828 B2
2829 B2
2830 C4
2831 C4
2832 C4
2833 E4
2834 E4
2835 E4
2836 E4
2837 E4
2838 E4
2839 E5
2840 F11
2841 E13
2842 F2
2843 G1
2845 G10
2846 G9
2848 G4
3800 A6
3801 A6
3802 B5
3803 B5
3804 B7
3805 B7
3806 B5
3807 C4
3808 C5
3809 I3
3811 G5
3813 G9
3814 C4
3815 I3
3816 D4
3817 D4
3818 D4
3819 D4
3820 D4
3821 D4
3822 D4
3823 E4
3824 E4
3825 E4
3826 F4
3827 F1
3828 F1
3833 F9
3834 F2
3835 G9
3837 G2
3838 H9
3839 H4
3841 G3
3842 G13
3843 H9
3844 H5
3845 H4
3846-A H3
3846-B H3
3846-C H3
3846-D H3
3849 H12
3852-A I3
3852-B H3
3852-C H3
3852-D H3
3856-A I3
3856-B I3
3856-C I3
3856-D I3
3856-E I3
3860-A I3
3860-B I3
3860-C I3
3860-D I3
3861-1 C9
3861-2 C9
3861-3 C9
3861-4 C9
4800 B6
4802 F11
4805 H12
4811 D4
4813 F4
4817 H3
5800 B2

POWER : 5VF (GNDB) ->D5VF (GNDB) ->PLL5VF (GNDB) 3V3F (GNDB)

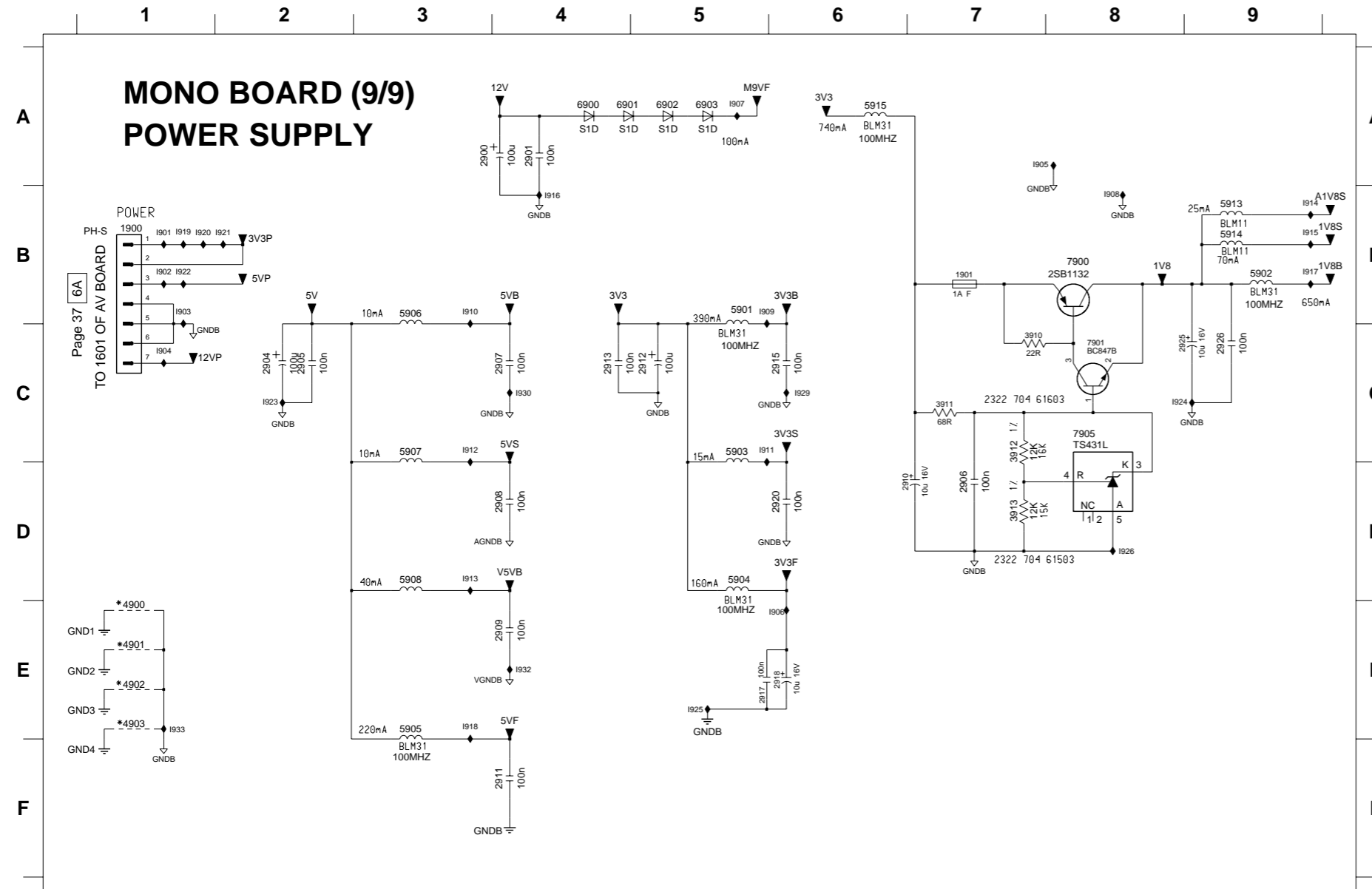
* Components having special characteristics are marked with a triangle symbol and must be replaced with parts having specifications equal to those originally installed. * Schematic diagram is subject to change without notice.

* 印のある部品は、安全性確保部品を示しています。部品の交換が必要な場合、パーツリストに記載されている部品を使用してください。 * 本回路図は、標準回路図です。改良のため予告なく変更することがございます。

■ SCHEMATIC DIAGRAM
FOR INFORMATION ONLY (NO REPLACEMENT PARTS WILL BE AVAILABLE)

The first digit of a component indicates the component type.

1xxx : Connector 3xxx : Resistor 5xxx : Coil 7xxx : IC, Transistor, FET
2xxx : Capacitor 4xxx : SMD jumper 6xxx : Diode 9xxx : Wire jumper



- 1900 B1 1922 B1
- 1901 B7 1923 C2
- 2900 A3 1924 C8
- 2901 A4 1925 E5
- 2904 C2 1926 D8
- 2905 C2 1929 C6
- 2906 D7 1930 C4
- 2907 C4 1932 E4
- 2908 E4 1933 E1
- 2910 D7
- 2911 F4
- 2912 C5
- 2913 C4
- 2915 C6
- 2917 E5
- 2918 E6
- 2920 D6
- 2925 C9
- 2926 C9
- 3910 C7
- 3911 C7
- 3912 C7
- 3913 D7
- 4900 E1
- 4901 E1
- 4902 E1
- 4903 E1
- 4905 E3
- 4906 B3
- 5907 C3
- 5908 D3
- 5913 B9
- 5914 B9
- 5915 A6
- 6900 A4
- 6901 A4
- 6902 A5
- 6903 A5
- 7900 B8
- 7901 C8
- 7905 C8
- 9901 B1
- 9902 B1
- 9903 B1
- 9904 C1
- 9905 A7
- 9906 E6
- 9907 A5
- 9908 B8
- 9909 B5
- 9910 B3
- 9911 C5
- 9912 C3
- 9913 D3
- 9914 B9
- 9915 B9
- 9916 B4
- 9917 B9
- 9918 E3
- 9919 B1
- 9920 B1
- 9921 B2

POWER:

12V (GNDB)	3V3 (GNDB)
->M9VF (GNDB)	->3V3B (GNDB)
5V (GNDB)	->1V8B (GNDB)
->5VB (GNDB)	->1V8S (GNDB)
->5VS (GNDB)	->A1V8S (AGNDB)
->V5VB (VGND)	->3V3S (GNDB)
->5VF (GNDB)	->3V3F (GNDB)
->3V3P (GNDB)	

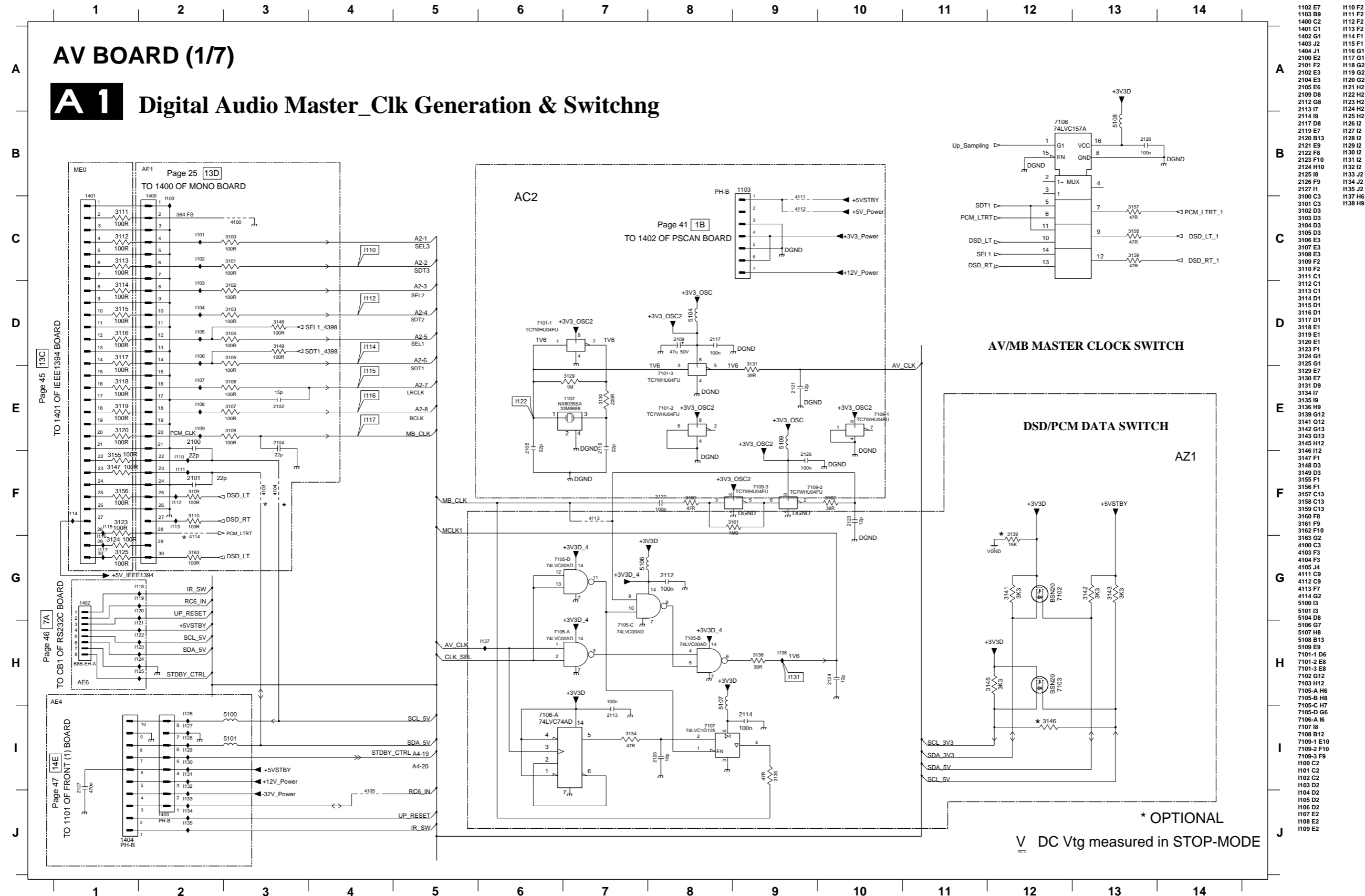
* Components having special characteristics are marked \triangle and must be replaced with parts having specifications equal to those originally installed.
* Schematic diagram is subject to change without notice.

* \triangle 印のある部品は、安全性確保部品を示しています。部品の交換が必要な場合、パーツリストに記載されている部品を使用してください。
* 本回路図は、標準回路図です。改良のため予告なく変更することがございます。

■ SCHEMATIC DIAGRAM
FOR INFORMATION ONLY (NO REPLACEMENT PARTS WILL BE AVAILABLE)

The first digit of a component indicates the component type.

1xxx : Connector 3xxx : Resistor 5xxx : Coil 7xxx : IC, Transistor, FET
2xxx : Capacitor 4xxx : SMD jumper 6xxx : Diode 9xxx : Wire jumper



- 1102 E7
- 1103 B9
- 1400 C2
- 1401 C1
- 1402 G1
- 1403 J2
- 1404 J1
- 2100 E2
- 2101 F2
- 2102 E3
- 2104 E3
- 2105 E6
- 2109 D8
- 2112 G8
- 2113 I7
- 2114 I9
- 2117 D8
- 2119 E7
- 2120 E3
- 2121 E9
- 2122 F8
- 2123 F10
- 2124 H10
- 2125 I8
- 2126 F9
- 2127 I1
- 3100 C3
- 3101 C3
- 3102 D3
- 3103 D3
- 3104 D3
- 3105 D3
- 3106 E3
- 3107 E3
- 3108 E3
- 3109 F2
- 3110 F2
- 3111 C1
- 3112 C1
- 3113 C1
- 3114 D1
- 3115 D1
- 3116 D1
- 3117 D1
- 3118 E1
- 3119 E1
- 3120 E1
- 3121 F1
- 3122 F1
- 3123 G1
- 3124 G1
- 3125 G1
- 3129 E7
- 3130 E7
- 3131 D9
- 3134 I7
- 3135 I9
- 3136 H9
- 3139 G12
- 3141 G12
- 3142 G13
- 3143 G13
- 3145 H12
- 3146 H12
- 3147 F1
- 3148 D3
- 3149 D3
- 3155 F1
- 3156 F1
- 3157 C13
- 3158 C13
- 3159 C13
- 3160 F8
- 3161 F9
- 3162 F10
- 3163 G2
- 4100 C3
- 4103 F3
- 4104 F3
- 4105 J4
- 4111 C9
- 4112 C9
- 4113 F7
- 4114 G2
- 5100 I3
- 5101 I3
- 5104 D8
- 5106 G7
- 5107 H8
- 5108 B13
- 5109 E9
- 7101-1 D6
- 7101-2 E8
- 7101-3 E8
- 7102 G12
- 7103 H12
- 7105-A H6
- 7105-C H7
- 7105-D G6
- 7106-A H6
- 7107 I8
- 7108 B12
- 7109-1 E10
- 7109-2 F10
- 7109-3 F9
- 1100 C2
- 1101 C2
- 1102 C2
- 1103 D2
- 1104 D2
- 1105 D2
- 1106 D2
- 1107 E2
- 1108 E2
- 1109 E2
- 1110 E7
- 1111 F2
- 1112 F2
- 1113 F2
- 1114 F1
- 1115 F1
- 1116 G1
- 1117 G1
- 1118 G2
- 1119 G2
- 1120 G2
- 1121 H2
- 1122 H2
- 1123 H2
- 1124 H2
- 1125 H2
- 1126 I2
- 1127 I2
- 1128 I2
- 1129 I2
- 1130 I2
- 1131 I2
- 1132 I2
- 1133 J2
- 1134 J2
- 1135 J2
- 1136 H6
- 1137 H6
- 1138 H9
- 1139 G12
- 1140 G13
- 1141 H12
- 1142 H12
- 1143 F1
- 1144 D3
- 1145 F1
- 1146 H12
- 1147 F1
- 1148 D3
- 1149 D3
- 1150 F1
- 1151 C13
- 1152 C13
- 1153 C13
- 1154 F8
- 1155 F9
- 1156 F10
- 1157 G2
- 1158 C3
- 1159 F3
- 1160 F3
- 1161 J4
- 1162 C9
- 1163 C9
- 1164 F7
- 1165 G2
- 1166 I3
- 1167 D8
- 1168 G7
- 1169 H8
- 1170 B13
- 1171 D6
- 1172 E8
- 1173 E8
- 1174 G12
- 1175 H12
- 1176-A H6
- 1175-C H7
- 1175-D G6
- 1176-A H6
- 1177 I8
- 1178 B12
- 1179-1 E10
- 1179-2 F10
- 1179-3 F9
- 1180 C2
- 1181 C2
- 1182 C2
- 1183 D2
- 1184 D2
- 1185 D2
- 1186 D2
- 1187 E2
- 1188 E2
- 1189 E2

CLK_SEL	M_CLK
Hi	AV_CLK
Low	MB_CLK

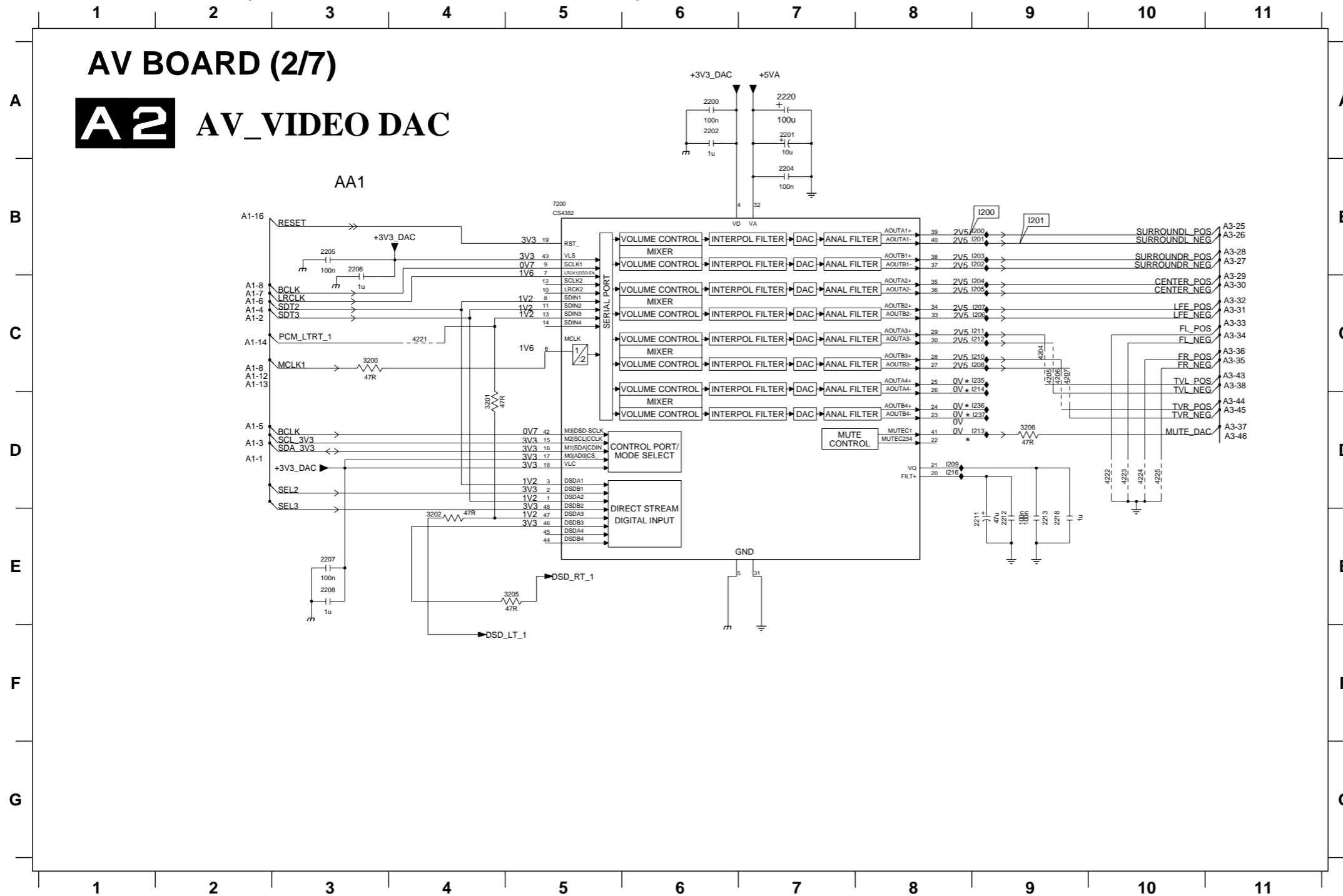
* Components having special characteristics are marked Δ and must be replaced with parts having specifications equal to those originally installed.
* Schematic diagram is subject to change without notice.

* Δ 印のある部品は、安全性確保部品を示しています。部品の交換が必要な場合、パーツリストに記載されている部品を使用してください。
* 本回路図は、標準回路図です。改良のため予告なく変更することがございます。

■ SCHEMATIC DIAGRAM
FOR INFORMATION ONLY (NO REPLACEMENT PARTS WILL BE AVAILABLE)

The first digit of a component indicates the component type.

- 1xxx : Connector 3xxx : Resistor 5xxx : Coil 7xxx : IC, Transistor, FET
- 2xxx : Capacitor 4xxx : SMD jumper 6xxx : Diode 9xxx : Wire jumper



- 2200 A6
- 2201 A7
- 2202 A6
- 2204 B7
- 2205 B3
- 2206 B3
- 2207 E3
- 2208 E3
- 2211 E9
- 2212 E9
- 2213 E9
- 2218 E9
- 2220 A7
- 3200 C3
- 3201 D4
- 3202 E4
- 3205 E5
- 3206 D9
- 4204 C9
- 4205 C9
- 4206 C9
- 4207 C9
- 4221 C4
- 4222 D10
- 4223 D10
- 4224 D10
- 4225 D10
- 7200 B5
- I200 B9
- I201 B9
- I202 B9
- I203 B9
- I204 C9
- I205 C9
- I206 C9
- I207 C9
- I208 C9
- I209 D8
- I210 C9
- I211 C9
- I212 C9
- I213 D9
- I214 C9
- I216 D8
- I235 C9
- I236 D9
- I237 D9

* OPTIONAL

V DC Vtg measured in STOP-MODE

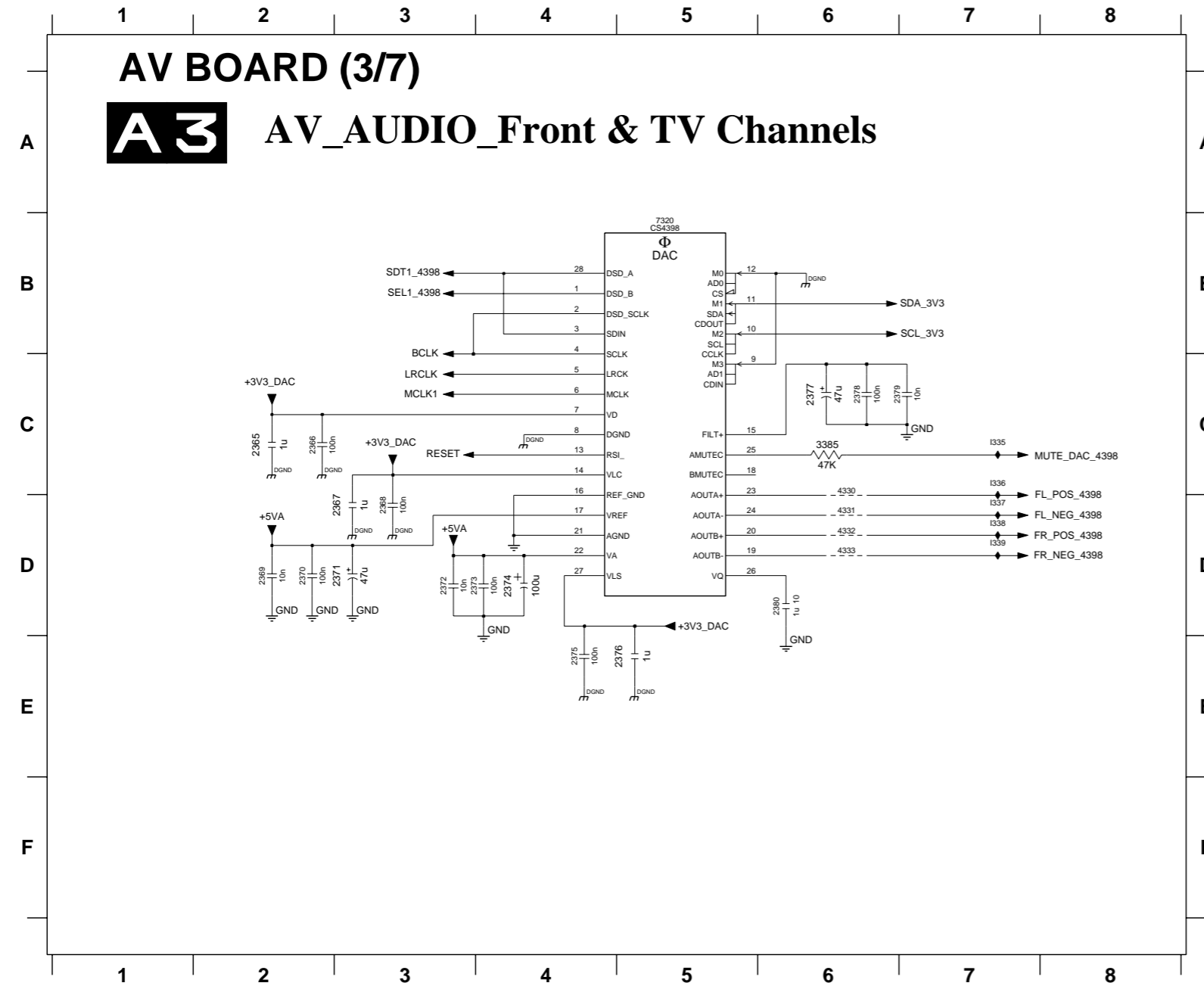
- * Components having special characteristics are marked Δ and must be replaced with parts having specifications equal to those originally installed.
- * Schematic diagram is subject to change without notice.

- * Δ 印のある部品は、安全性確保部品を示しています。部品の交換が必要な場合、パーツリストに記載されている部品を使用してください。
- * 本回路図は、標準回路図です。改良のため予告なく変更することがございます。

■ SCHEMATIC DIAGRAM
FOR INFORMATION ONLY (NO REPLACEMENT PARTS WILL BE AVAILABLE)

The first digit of a component indicates the component type.

1xxx : Connector 3xxx : Resistor 5xxx : Coil 7xxx : IC, Transistor, FET
2xxx : Capacitor 4xxx : SMD jumper 6xxx : Diode 9xxx : Wire jumper



* Components having special characteristics are marked Δ and must be replaced with parts having specifications equal to those originally installed.
* Schematic diagram is subject to change without notice.

* Δ 印のある部品は、安全性確保部品を示しています。部品の交換が必要な場合、パーツリストに記載されている部品を使用してください。
* 本回路図は、標準回路図です。改良のため予告なく変更することがございます。

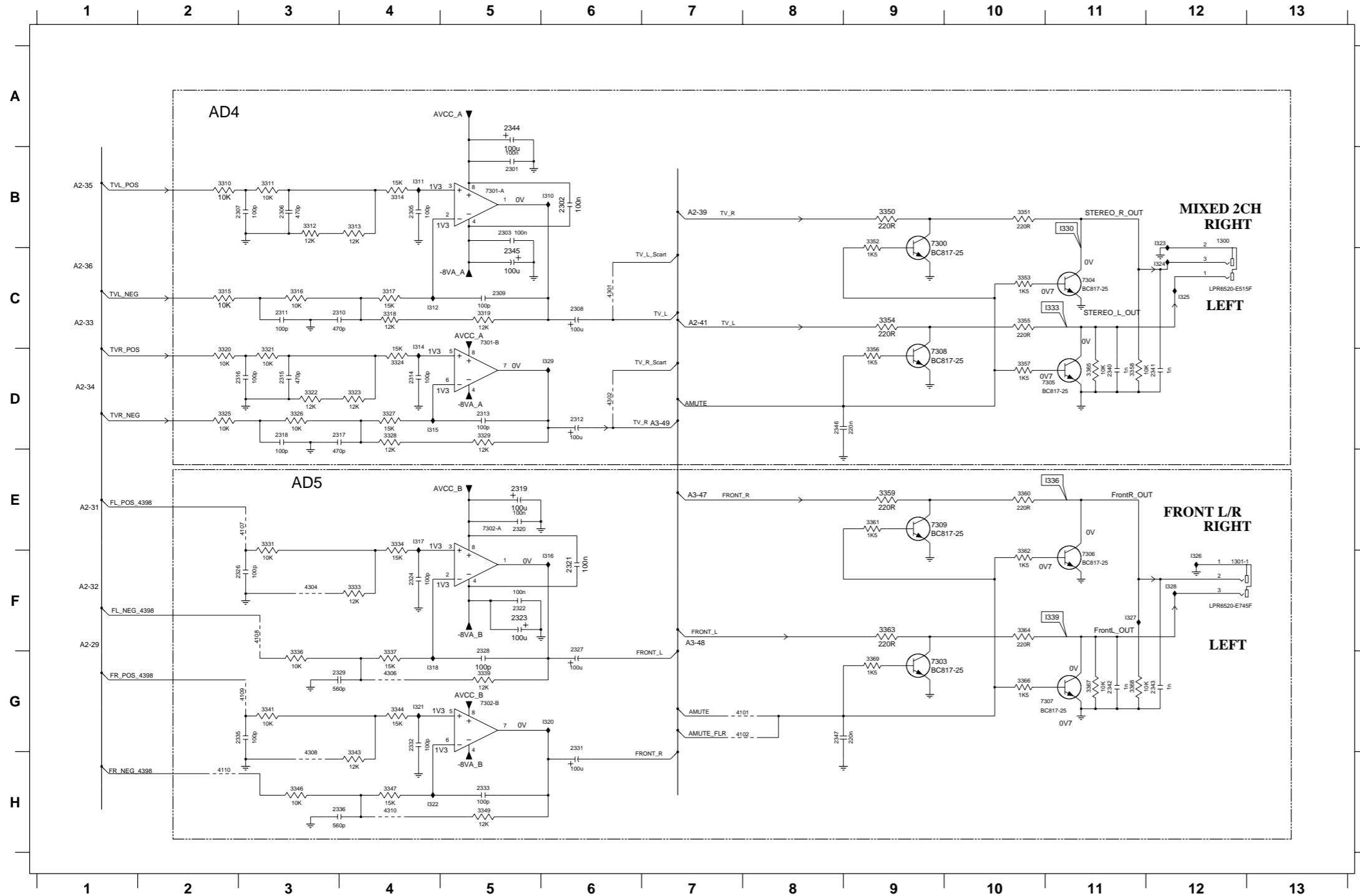
■ SCHEMATIC DIAGRAM
FOR INFORMATION ONLY (NO REPLACEMENT PARTS WILL BE AVAILABLE)

AV BOARD (4/7)

A4 AV_AUDIO_Front & TV Channels

The first digit of a component indicates the component type.

- 1xxx : Connector 3xxx : Resistor 5xxx : Coil 7xxx : IC, Transistor, FET
- 2xxx : Capacitor 4xxx : SMD jumper 6xxx : Diode 9xxx : Wire jumper



- 1300 B12
- 1301-1 F12
- 2301 B5
- 2302 B6
- 2303 B5
- 2305 B4
- 2306 B3
- 2307 B3
- 2308 C6
- 2309 C5
- 2310 C3
- 2311 C3
- 2312 D6
- 2313 D5
- 2314 D4
- 2315 D3
- 2316 D3
- 2317 D3
- 2318 D3
- 2319 E5
- 2320 E5
- 2321 F6
- 2322 F5
- 2323 F5
- 2324 F4
- 2325 F3
- 2327 F6
- 2328 G5
- 2329 G3
- 2331 G6
- 2332 G4
- 2333 H5
- 2334 G3
- 2335 G3
- 2336 H3
- 2340 D11
- 2341 D12
- 2342 G11
- 2343 G12
- 2344 A5
- 2345 C5
- 2346 D8
- 2347 G8
- 3310 B2
- 3311 B3
- 3312 B3
- 3313 B4
- 3314 B4
- 3315 C2
- 3316 C3
- 3317 C4
- 3318 C4
- 3319 C5
- 3320 D2
- 3321 D3
- 3322 D3
- 3323 D4
- 3324 D4
- 3325 D2
- 3326 D3
- 3327 D4
- 3328 D4
- 3329 D5
- 3331 E3
- 3333 F4
- 3334 E4
- 3336 G3
- 3337 G4
- 3339 G5
- 3341 G3
- 3343 H4
- 3344 G4
- 3346 H3
- 3347 H4
- 3349 H5
- 3350 B9
- 3351 B10
- 3352 B9
- 3353 C10
- 3354 C9
- 3355 C10
- 3356 D9
- 3357 D10
- 3358 D11
- 3359 E9
- 3360 E10
- 3361 E9
- 3362 F10
- 3363 F9
- 3364 F10
- 3365 D11
- 3366 G10
- 3367 G11
- 3368 G11
- 3369 G9
- 4101 G7
- 4102 G7
- 4107 E3
- 4108 F3
- 4109 G3
- 4110 H2
- 4301 C6
- 4302 D6
- 4304 F3
- 4306 G4
- 4308 H3
- 4310 H4
- 7300 B9
- 7301-A B5
- 7301-B C5
- 7302-A E5
- 7302-B G5
- 7303 G9
- 7304 C11
- 7305 D10
- 7306 F11
- 7307 G10
- 7308 D9
- 7309 E9
- I310 B6
- I311 B4
- I312 C4
- I314 C4
- I315 D4
- I316 F6
- I317 E4
- I318 G4
- I320 G6
- I321 G4
- I322 H4
- I323 B12
- I324 C12
- I325 C12
- I326 F12
- I327 F11
- I328 F12
- I329 D6

* OPTIONAL V DC Vtg measured in STOP-MODE

- * Components having special characteristics are marked Δ and must be replaced with parts having specifications equal to those originally installed.
- * Schematic diagram is subject to change without notice.
- * Δ 印のある部品は、安全性確保部品を示しています。部品の交換が必要な場合、パーツリストに記載されている部品を使用してください。
- * 本回路図は、標準回路図です。改良のため予告なく変更することがございます。

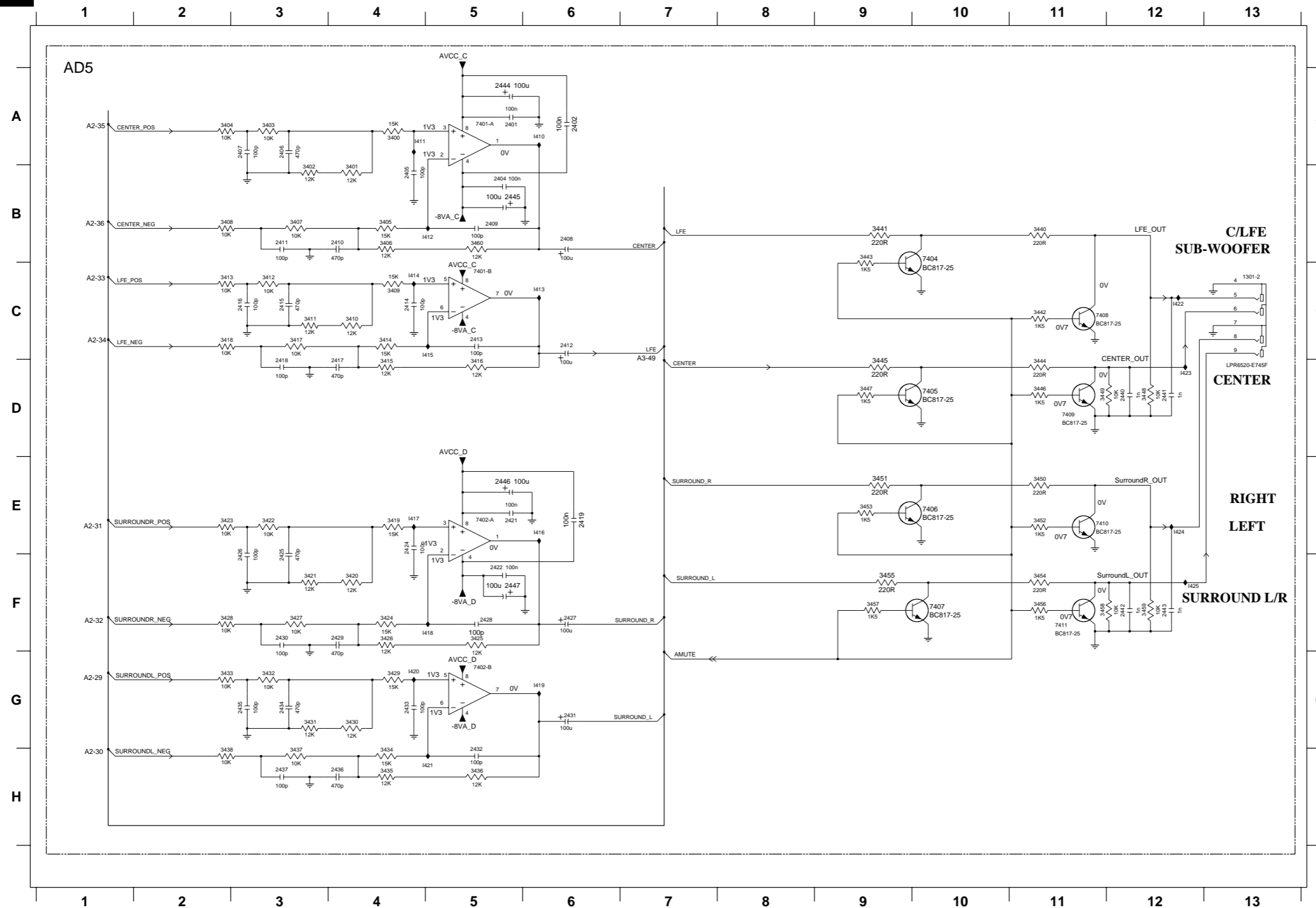
■ SCHEMATIC DIAGRAM
FOR INFORMATION ONLY (NO REPLACEMENT PARTS WILL BE AVAILABLE)

AV BOARD (5/7)

A5 AV_AUDIO_C/FE & Surround Channels

The first digit of a component indicates the component type.

- 1xxx : Connector 3xxx : Resistor 5xxx : Coil 7xxx : IC, Transistor, FET
- 2xxx : Capacitor 4xxx : SMD jumper 6xxx : Diode 9xxx : Wire jumper



- 1301-2 C13
- 2401 A5
- 2402 A6
- 2404 B5
- 2405 B4
- 2406 A3
- 2407 A3
- 2408 B6
- 2409 B5
- 2410 B4
- 2411 B3
- 2412 C6
- 2413 C5
- 2414 C4
- 2415 C3
- 2416 C3
- 2417 D4
- 2418 D3
- 2419 E6
- 2421 E5
- 2422 F5
- 2424 E4
- 2425 F3
- 2426 F3
- 2427 F6
- 2428 F5
- 2429 F4
- 2430 F3
- 2431 G6
- 2432 H5
- 2433 G4
- 2434 G3
- 2435 G3
- 2436 H4
- 2437 H3
- 2440 D12
- 2441 D12
- 2442 F12
- 2443 F12
- 2444 A5
- 2445 B5
- 2446 E5
- 2447 F5
- 3400 A4
- 3401 B4
- 3402 B3
- 3403 A3
- 3404 A2
- 3405 B4
- 3406 B4
- 3407 B3
- 3408 B2
- 3409 C4
- 3410 C4
- 3411 C3
- 3412 C3
- 3413 C2
- 3414 C4
- 3415 D4
- 3416 D5
- 3417 C3
- 3418 C2
- 3419 E4
- 3420 F4
- 3421 F3
- 3422 E3
- 3423 E2
- 3424 F4
- 3425 F5
- 3426 F4
- 3427 F3
- 3428 F2
- 3429 G4
- 3430 G4
- 3431 G3
- 3432 G3
- 3433 G2
- 3434 H4
- 3435 H4
- 3436 H5
- 3437 H3
- 3438 H2
- 3440 B11
- 3441 B9
- 3442 C11
- 3443 B9
- 3444 D11
- 3445 D9
- 3446 D11
- 3447 D9
- 3448 D12
- 3449 D11
- 3450 E11
- 3451 E9
- 3452 E11
- 3453 E9
- 3454 F11
- 3455 F9
- 3456 F11
- 3457 F9
- 3458 F11
- 3459 F12
- 3460 B5
- 7401-A A5
- 7401-B C5
- 7402-A E5
- 7402-B G5
- 7404 B10
- 7405 D10
- 7406 E10
- 7407 F10
- 7408 C11
- 7409 D11
- 7410 E11
- 7411 F11
- I410 A6
- I411 A4
- I412 B5
- I413 C6
- I414 C4
- I415 C5
- I416 E6
- I417 E4
- I418 F5
- I419 G6
- I420 G4
- I421 H5
- I422 C12
- I423 D12
- I424 E12
- I425 F12

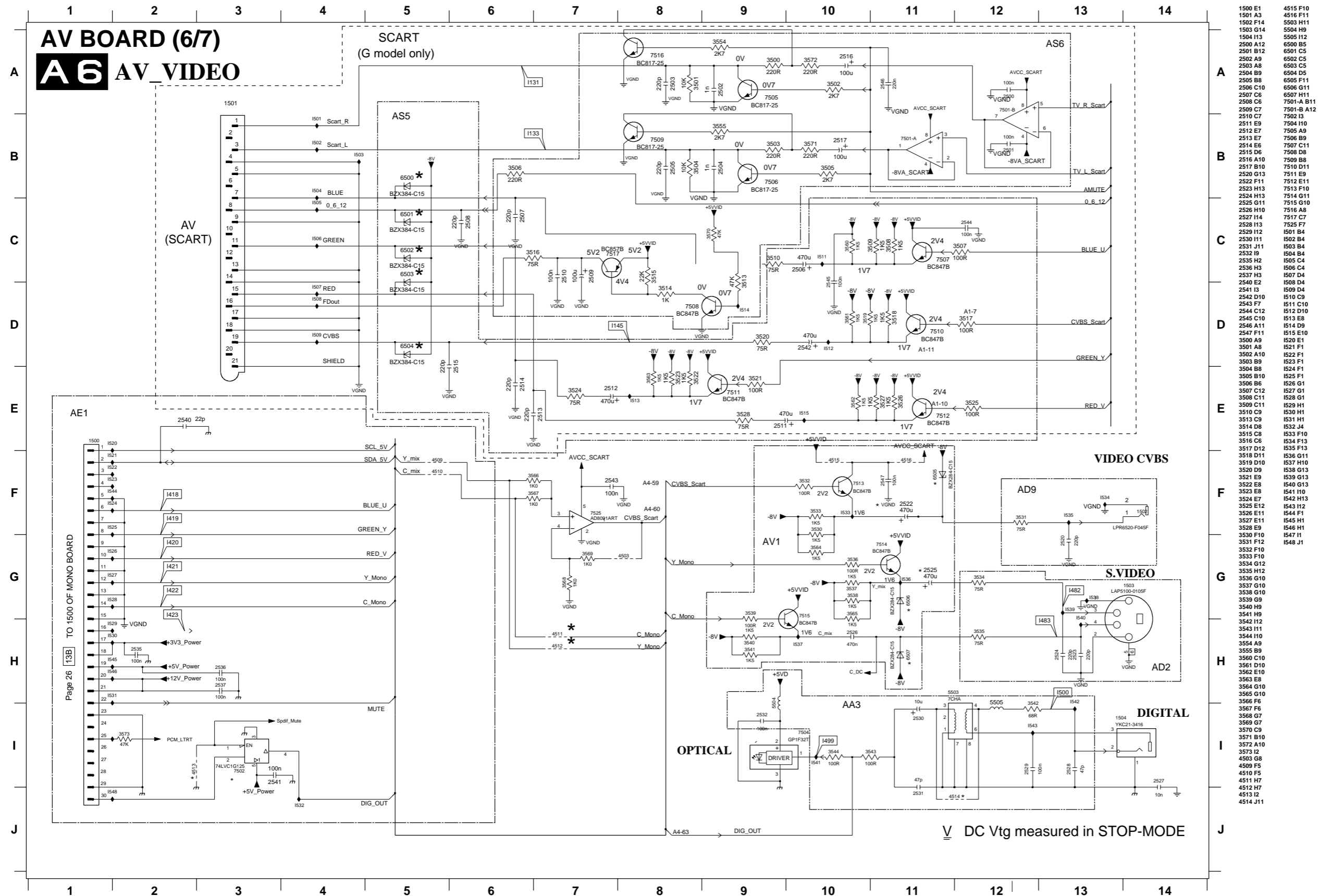
* Components having special characteristics are marked \triangle and must be replaced with parts having specifications equal to those originally installed.
* Schematic diagram is subject to change without notice.

* \triangle 印のある部品は、安全性確保部品を示しています。部品の交換が必要な場合、パーツリストに記載されている部品を使用してください。
* 本回路図は、標準回路図です。改良のため予告なく変更することがございます。

SCHEMATIC DIAGRAM
FOR INFORMATION ONLY (NO REPLACEMENT PARTS WILL BE AVAILABLE)

The first digit of a component indicates the component type.

- 1xxx : Connector 3xxx : Resistor 5xxx : Coil 7xxx : IC, Transistor, FET
- 2xxx : Capacitor 4xxx : SMD jumper 6xxx : Diode 9xxx : Wire jumper



1500 E1	4515 F10
1501 A3	4516 F11
1502 F14	5503 H11
1503 G14	5504 H9
1504 I13	5505 I12
2500 A12	6500 B5
2501 B12	6501 C5
2502 A9	6502 C5
2503 A8	6503 C5
2504 B9	6504 D5
2505 B8	6505 F11
2506 C10	6506 G11
2507 C6	6507 H11
2508 C6	7501-A B11
2509 C7	7501-B A12
2510 C7	7502 I3
2511 E9	7504 I10
2512 E7	7505 A9
2513 E7	7506 B9
2514 E6	7507 C11
2515 D6	7508 D8
2516 A10	7509 B8
2517 B10	7510 D11
2520 G13	7511 E9
2522 F11	7512 E11
2523 H13	7513 F10
2524 H13	7514 G11
2525 G11	7515 G10
2526 H10	7516 A8
2527 I14	7517 C7
2528 I13	7525 F7
2529 I12	I501 B4
2530 I11	I502 B4
2531 J11	I503 B4
2532 I9	I504 B4
2535 H2	I505 C4
2536 H3	I506 C4
2537 H3	I507 D4
2540 E2	I508 D4
2541 I3	I509 D4
2542 D10	I510 C9
2543 F7	I511 C10
2544 C12	I512 D10
2545 C10	I513 E8
2546 A11	I514 D9
2547 F11	I515 E10
3500 A9	I520 E1
3501 A8	I521 F1
3502 A10	I522 F1
3503 B9	I523 F1
3504 B8	I524 F1
3505 B10	I525 F1
3506 B6	I526 G1
3507 C12	I527 G1
3508 C11	I528 G1
3509 C11	I529 H1
3510 C9	I530 H1
3513 C9	I531 H1
3514 D8	I532 J4
3515 C8	I533 F10
3516 C6	I534 F13
3517 D12	I535 F13
3518 D11	I536 G11
3519 D10	I537 H10
3520 D9	I538 G13
3521 E9	I539 G13
3522 E8	I540 G13
3523 E8	I541 H10
3524 E7	I542 H13
3525 E12	I543 I12
3526 E11	I544 F1
3527 E11	I545 H1
3528 E9	I546 H1
3530 F10	I547 H1
3531 F12	I548 J1
3532 F10	
3534 G12	
3535 H12	
3536 G10	
3537 G10	
3538 G10	
3539 G9	
3540 H9	
3541 H9	
3542 I12	
3543 I11	
3544 H10	
3554 A9	
3555 B9	
3560 C10	
3561 D10	
3562 E10	
3563 E9	
3564 G10	
3565 G10	
3566 F6	
3567 F6	
3568 G7	
3569 G7	
3570 C9	
3571 B10	
3572 A10	
3573 I2	
4503 G8	
4509 F5	
4510 F5	
4511 H7	
4512 H7	
4513 I2	
4514 J11	

* Components having special characteristics are marked Δ and must be replaced with parts having specifications equal to those originally installed.
* Schematic diagram is subject to change without notice.

* Δ 印のある部品は、安全性確保部品を示しています。部品の交換が必要な場合、パーツリストに記載されている部品を使用してください。
* 本回路図は、標準回路図です。改良のため予告なく変更することがございます。

■ SCHEMATIC DIAGRAM
FOR INFORMATION ONLY (NO REPLACEMENT PARTS WILL BE AVAILABLE)

AV BOARD (7/7)

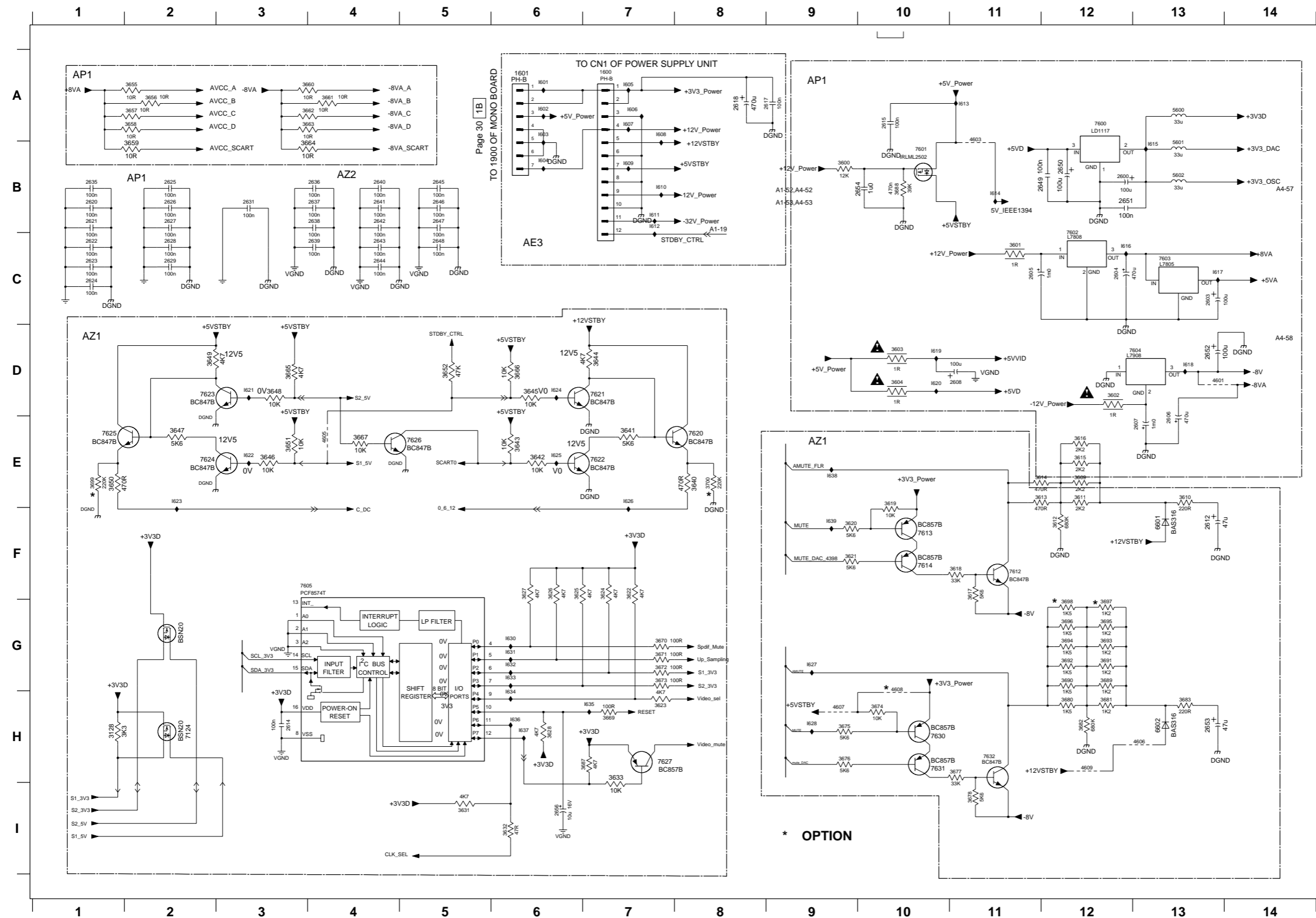
A7

The first digit of a component indicates the component type.

- 1xxx : Connector 3xxx : Resistor 5xxx : Coil 7xxx : IC, Transistor, FET
- 2xxx : Capacitor 4xxx : SMD jumper 6xxx : Diode 9xxx : Wire jumper

- * Components having special characteristics are marked Δ and must be replaced with parts having specifications equal to those originally installed.
- * Schematic diagram is subject to change without notice.

- * Δ 印のある部品は、安全性確保部品を示しています。部品の交換が必要な場合、パーツリストに記載されている部品を使用してください。
- * 本回路図は、標準回路図です。改良のため予告なく変更することがございます。



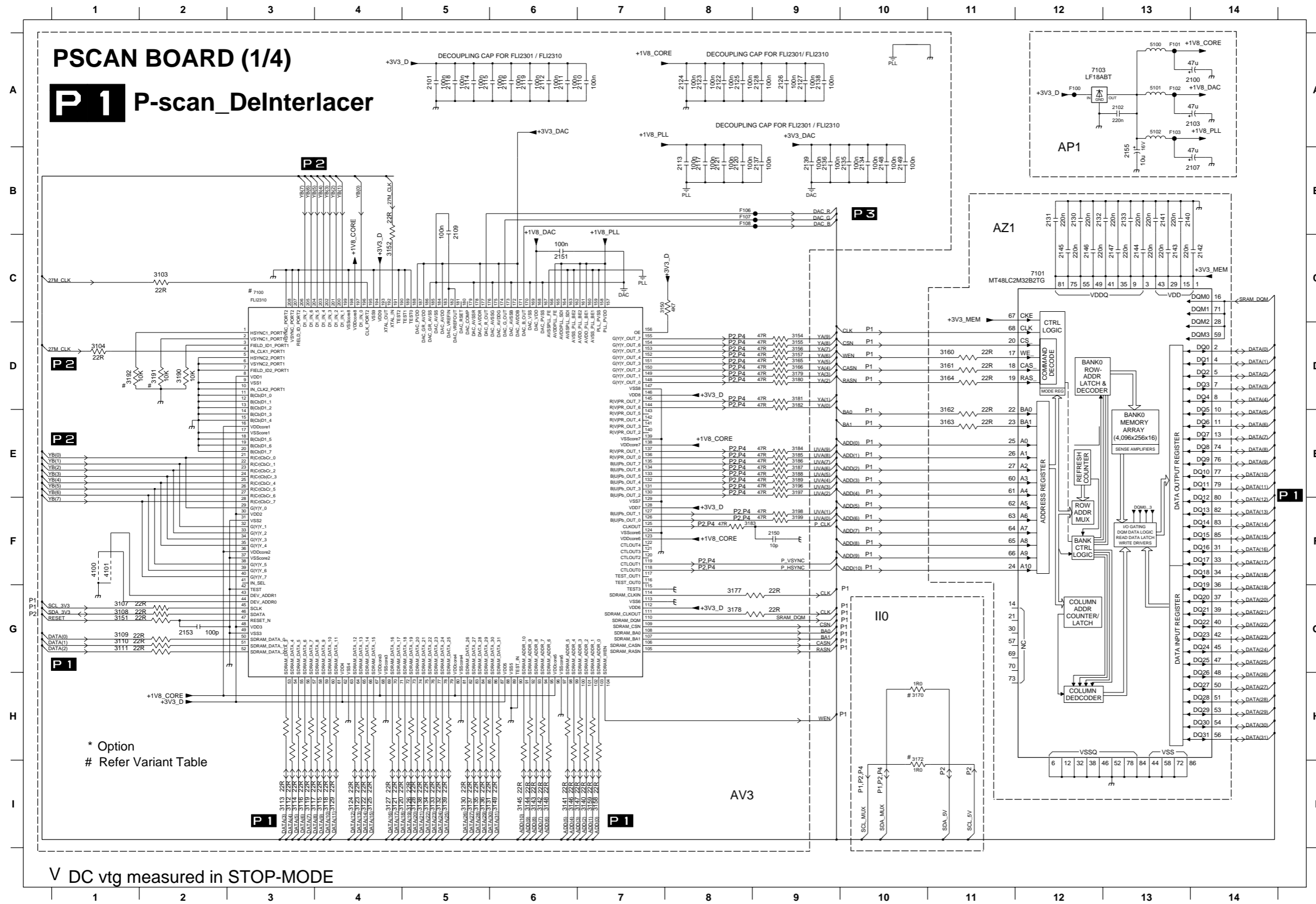
1600 A7	3665 D3
1601 A6	3666 D6
2600 B12	3667 E4
2603 C13	3669 H7
2604 C12	3670 G7
2605 C11	3671 G7
2606 E13	3672 G7
2607 E13	3673 G7
2608 D11	3674 H10
2611 C9	3675 H9
2612 F13	3676 H9
2614 H3	3677 H11
2615 A10	3678 H11
2617 A9	3680 H12
2618 A8	3681 H12
2620 B1	3682 H12
2621 B1	3683 H13
2622 C1	3687 H7
2623 C1	3688 B10
2624 C1	3689 G12
2625 B2	3690 G12
2626 B2	3691 G12
2627 B2	3692 G12
2628 C2	3693 G12
2629 C2	3694 G12
2631 B3	3695 G12
2635 B3	3696 G12
2636 B4	3697 G12
2637 B4	3698 G12
2638 B4	3699 E1
2639 C4	3700 E8
2640 B4	4601 D13
2641 B4	4603 B11
2642 B4	4605 E4
2643 C4	4606 H13
2644 C4	4607 H9
2645 B5	4608 H10
2646 B5	4609 H12
2647 B5	5600 A13
2648 C5	5601 B13
2649 B12	5602 B13
2650 B12	6601 F13
2651 B12	6602 H13
2652 D13	7122 G2
2653 H13	7124 H2
2654 B10	7600 A12
2656 I6	7601 B10
3128 H1	7602 C12
3600 B9	7603 C13
3601 C11	7604 D13
3602 D12	7605 F3
3603 D10	7612 F11
3604 D10	7613 F10
3609 E12	7614 F10
3610 E13	7620 E8
3611 E12	7621 D7
3612 F12	7622 E7
3613 E11	7623 D2
3614 E11	7624 E2
3615 E12	7625 E1
3616 E12	7626 E5
3617 F11	7627 H7
3618 F11	7630 H10
3619 E10	7631 H10
3620 F9	7632 H11
3621 F9	8601 A6
3622 F7	8602 A6
3623 H7	8603 A6
3624 F7	8604 B6
3625 F6	8605 A7
3626 F6	8606 A7
3627 F6	8607 A7
3628 H6	8608 A7
3631 I5	8609 B7
3632 I6	8610 B7
3633 H7	8611 B7
3640 E8	8612 B7
3641 E7	8613 A11
3642 E6	8614 B11
3643 E6	8615 B13
3644 D7	8616 C12
3645 D6	8617 C13
3646 E3	8618 D13
3647 E2	8619 D10
3648 D3	8620 D10
3649 D2	8621 D3
3650 E1	8622 E3
3651 E3	8623 E2
3652 D5	8624 D6
3655 A2	8625 E6
3656 A2	8626 E7
3657 A2	8627 G9
3658 A2	8628 H9
3659 B2	8630 G6
3660 A4	8631 G6
3661 A4	8632 G6
3662 A4	8633 G6
3663 A4	8634 H6
3664 B4	8635 H7
	8636 H6
	8637 H6
	8638 E9
	8639 F9

* OPTION

SCHEMATIC DIAGRAM FOR INFORMATION ONLY (NO REPLACEMENT PARTS WILL BE AVAILABLE)

The first digit of a component indicates the component type.

- 1xxx : Connector
- 2xxx : Capacitor
- 3xxx : Resistor
- 4xxx : SMD jumper
- 5xxx : Coil
- 6xxx : Diode
- 7xxx : IC, Transistor, FET
- 8xxx : Diode
- 9xxx : Wire jumper



2100	A14	3163	E11
2101	A5	3164	D11
2102	A13	3165	D9
2103	A14	3166	D9
2107	B14	3170	H10
2109	B5	3172	H10
2110	A7	3177	G8
2111	A6	3178	G8
2112	A6	3179	D9
2113	B8	3180	D9
2114	A5	3181	D9
2115	A5	3182	D9
2116	A6	3183	F8
2117	B8	3184	E9
2118	A5	3185	E9
2119	A6	3186	E9
2120	B8	3187	E9
2121	B8	3188	E9
2122	A8	3189	E9
2123	A8	3190	D2
2124	A8	3191	D2
2125	A8	3192	D1
2126	A9	3196	E9
2127	A9	3197	E9
2128	A9	3198	F9
2130	B12	3199	F9
2131	B12	4100	F1
2132	B12	4101	F1
2133	B13	5100	A13
2134	B10	5101	A13
2135	B10	5102	A13
2136	B9	7100	C3
2137	B9	7101	C12
2138	A9	7103	A12
2139	B9	F100	A12
2140	B13	F101	A13
2141	B13	F102	A13
2142	C14	F103	A13
2143	C13	F106	B8
2144	C13	F107	B8
2145	C12	F108	B8
2146	C12	F108	B8
2147	C13		
2148	B10		
2149	B10		
2150	F9		
2151	G2		
2152	G6		
2153	C2		
2154	C3		
2155	B13		
2156	C10		
2157	G1		
2158	G1		
2159	G1		
2160	G1		
2161	D11		
2162	D11		
2163	E11		

V DC vtg measured in STOP-MODE

AV3

* Components having special characteristics are marked Δ and must be replaced with parts having specifications equal to those originally installed.
 * Schematic diagram is subject to change without notice.

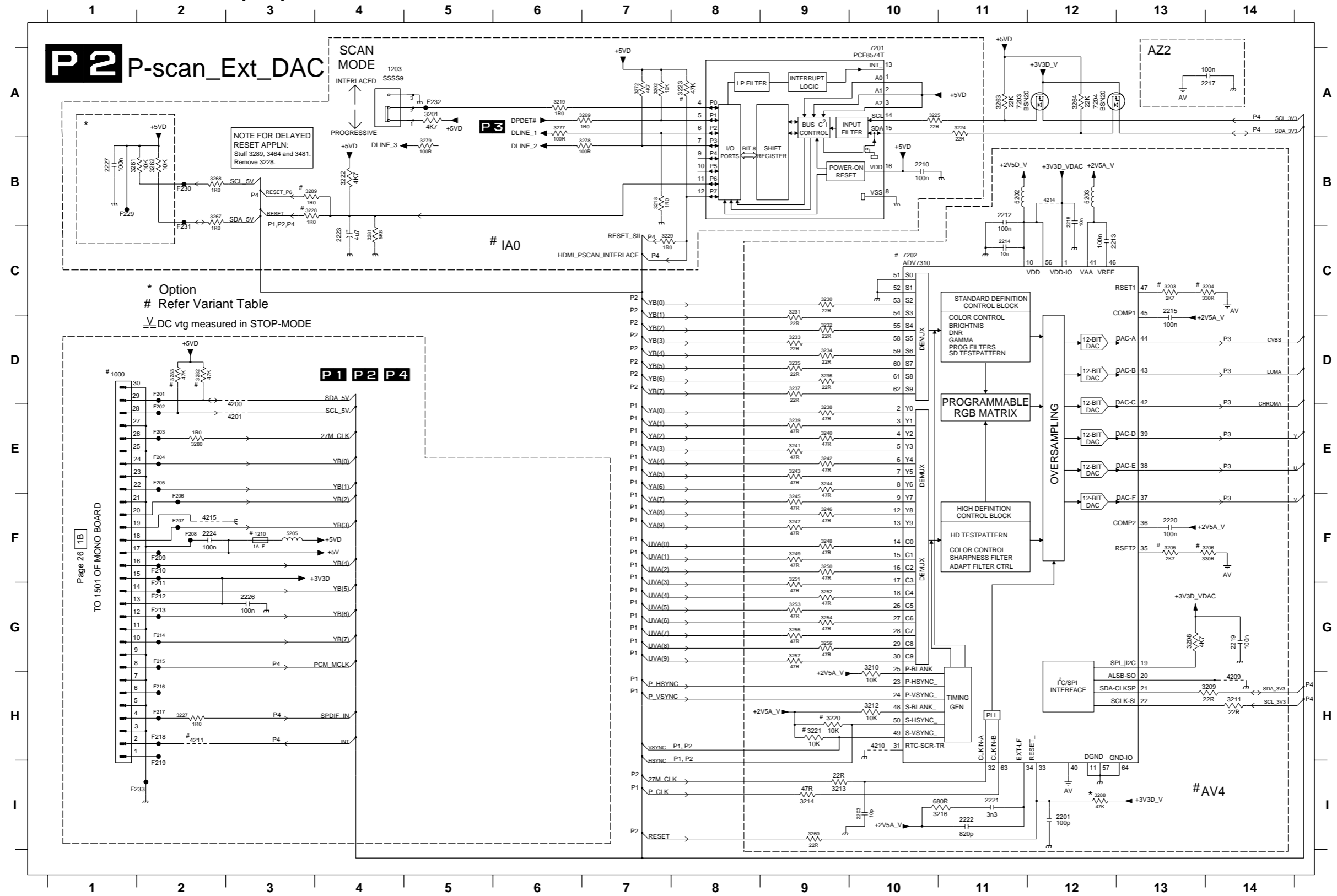
* Δ 印のある部品は、安全性確保部品を示しています。部品の交換が必要な場合、パーツリストに記載されている部品を使用してください。
 * 本回路図は、標準回路図です。改良のため予告なく変更することがございます。

■ SCHEMATIC DIAGRAM
FOR INFORMATION ONLY (NO REPLACEMENT PARTS WILL BE AVAILABLE)

PSCAN BOARD (2/4)

The first digit of a component indicates the component type.

- 1xxx : Connector 3xxx : Resistor 5xxx : Coil 7xxx : IC, Transistor, FET
- 2xxx : Capacitor 4xxx : SMD jumper 6xxx : Diode 9xxx : Wire jumper



1000 D1	4200 D3
1203 A4	4201 E3
1210 F3	4209 H4
2201 H2	4210 H10
2203 I10	4211 H2
2210 B10	4214 B12
2212 B11	4215 F2
2213 C12	5202 B11
2214 C11	5203 B12
2215 C13	5205 F3
2217 A14	7201 A10
2218 B12	7202 C10
2219 G14	7203 A11
2220 F13	7204 A12
2221 H11	F201 D2
2222 H11	F202 E2
2223 C4	F203 E2
2224 F2	F204 E2
2226 G3	F205 E2
2227 B1	F206 F2
2228 I6	F207 F2
3201 A5	F208 F2
3202 A7	F209 F2
3203 C13	F210 F2
3204 C14	F211 G2
3205 F13	F212 G2
3206 F14	F213 G2
3208 G13	F214 G2
3209 H14	F215 G2
3210 G10	F216 H2
3211 H14	F217 H2
3212 H10	F218 H2
3213 I9	F219 I2
3214 I9	F220 G5
3216 H11	F221 G5
3218 B7	F222 G5
3219 A6	F223 H5
3220 H9	F224 H5
3221 H9	F225 H5
3222 B4	F226 H5
3223 A8	F227 I5
3224 A11	F228 I5
3225 A10	F229 B1
3227 H2	F230 B2
3228 B3	F231 C2
3229 C7	F232 A5
3230 C9	F233 I2
3231 C9	
3232 D9	
3233 D9	
3234 D9	
3235 D9	
3236 D9	
3237 D9	
3238 E9	
3239 E9	
3240 E9	
3241 E9	
3242 E9	
3243 E9	
3244 E9	
3245 F9	
3246 F9	
3247 F9	
3248 F9	
3249 F9	
3250 F9	
3251 F9	
3252 G9	
3253 G9	
3254 G9	
3255 G9	
3256 G9	
3257 G9	
3260 I9	
3261 B1	
3262 B2	
3263 A11	
3264 A12	
3267 B2	
3268 B2	
3269 A7	
3272 A7	
3277 A6	
3278 B7	
3279 B5	
3280 E2	
3281 C4	
3282 D2	
3283 D2	
3288 H12	
3289 B3	

* Option
Refer Variant Table
V DC vtg measured in STOP-MODE

Page 26 1B
TO 1501 OF MONO BOARD

NOTE FOR DVDR755 APPLN:
If 5V for HDMI socket from external source, 5205 is in to supply 5V circuitry. 5206 is out and provisional. See P4.

NOTE FOR VIDEO DAC 7202 APPLN:
ADV7320 supports CGMS 625P. ADV7320 must be used for EU version. Running change to ADV7320 for other regions.

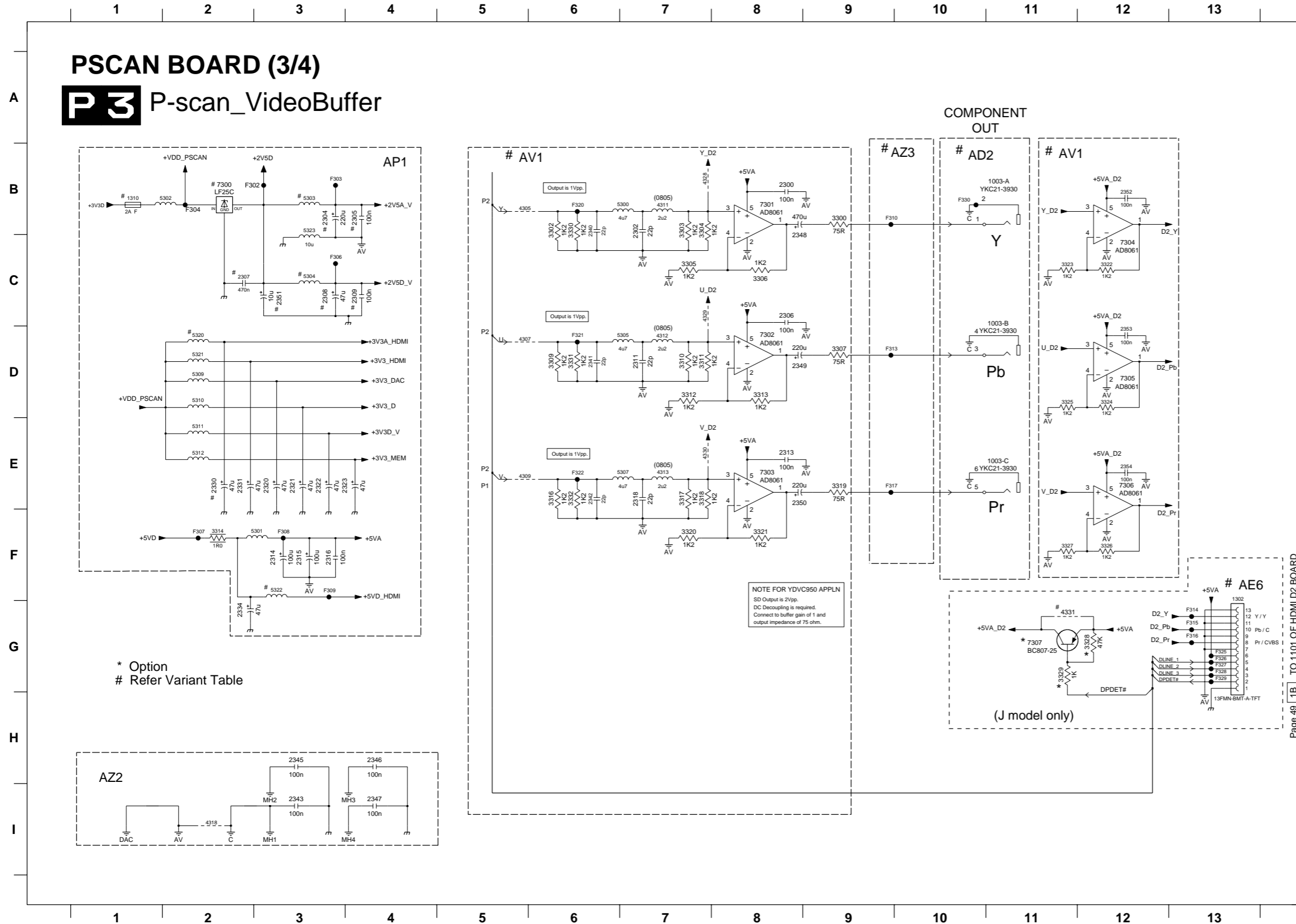
* Components having special characteristics are marked Δ and must be replaced with parts having specifications equal to those originally installed.
* Schematic diagram is subject to change without notice.

* Δ 印のある部品は、安全性確保部品を示しています。部品の交換が必要な場合、パーツリストに記載されている部品を使用してください。
* 本回路図は、標準回路図です。改良のため予告なく変更することがございます。

■ SCHEMATIC DIAGRAM
FOR INFORMATION ONLY (NO REPLACEMENT PARTS WILL BE AVAILABLE)

The first digit of a component indicates the component type.

1xxx : Connector 3xxx : Resistor 5xxx : Coil 7xxx : IC, Transistor, FET
2xxx : Capacitor 4xxx : SMD jumper 6xxx : Diode 9xxx : Wire jumper



1003-A B11	4331 G11
1003-B C11	5300 B7
1003-C E11	5301 F3
1302 F13	5302 B2
1310 B1	5303 B3
2300 B8	5304 C3
2302 B7	5305 D7
2304 B3	5307 E7
2305 B4	5309 D2
2306 C8	5310 D2
2307 C2	5311 E2
2308 C3	5312 E2
2309 C4	5320 D2
2311 D7	5321 D2
2313 E8	5322 F3
2314 F3	5323 B3
2315 F3	7300 B2
2316 F3	7301 B8
2318 E7	7302 D8
2320 E3	7303 E8
2321 E3	7304 C12
2322 E3	7305 D12
2323 E4	7306 E12
2330 E2	7307 G11
2331 E2	F302 B2
2334 G2	F303 B3
2340 B6	F304 B2
2341 D6	F306 C3
2342 E6	F307 F2
2343 I3	F308 F3
2345 H3	F309 F3
2346 H4	F310 B9
2347 I4	F313 D9
2348 B8	F314 G13
2349 D8	F315 G13
2350 E8	F316 G13
2351 C3	F317 E9
2352 B12	F320 B6
2353 D12	F321 D6
2354 E12	F322 E6
3300 B9	F324 D13
3302 B6	F325 G13
3303 B7	F326 G13
3304 B7	F327 G13
3305 C7	F328 G13
3306 C8	F329 G13
3307 D9	F330 B10
3309 D6	
3310 D7	
3311 D7	
3312 D7	
3313 D8	
3314 F2	
3316 E6	
3317 E7	
3318 E7	
3319 E9	
3320 F7	
3321 F8	
3322 C12	
3323 C11	
3324 D12	
3325 D11	
3326 F12	
3327 F11	
3328 G12	
3329 G11	
3330 B6	
3331 D6	
3332 E6	
4305 B5	
4307 D5	
4309 E5	
4311 B7	
4312 D7	
4313 E7	
4318 I2	
4325 I2	
4328 B7	
4329 C7	
4330 E7	

Page 49 | 1B | TO 1101 OF HDMI D2 BOARD

* Components having special characteristics are marked Δ and must be replaced with parts having specifications equal to those originally installed.
* Schematic diagram is subject to change without notice.

* Δ 印のある部品は、安全性確保部品を示しています。部品の交換が必要な場合、パーツリストに記載されている部品を使用してください。
* 本回路図は、標準回路図です。改良のため予告なく変更することがございます。

SCHEMATIC DIAGRAM FOR INFORMATION ONLY (NO REPLACEMENT PARTS WILL BE AVAILABLE)

PSCAN BOARD (4/4)

The first digit of a component indicates the component type.

- 1xxx : Connector 3xxx : Resistor 5xxx : Coil 7xxx : IC, Transistor, FET
2xxx : Capacitor 4xxx : SMD jumper 6xxx : Diode 9xxx : Wire jumper

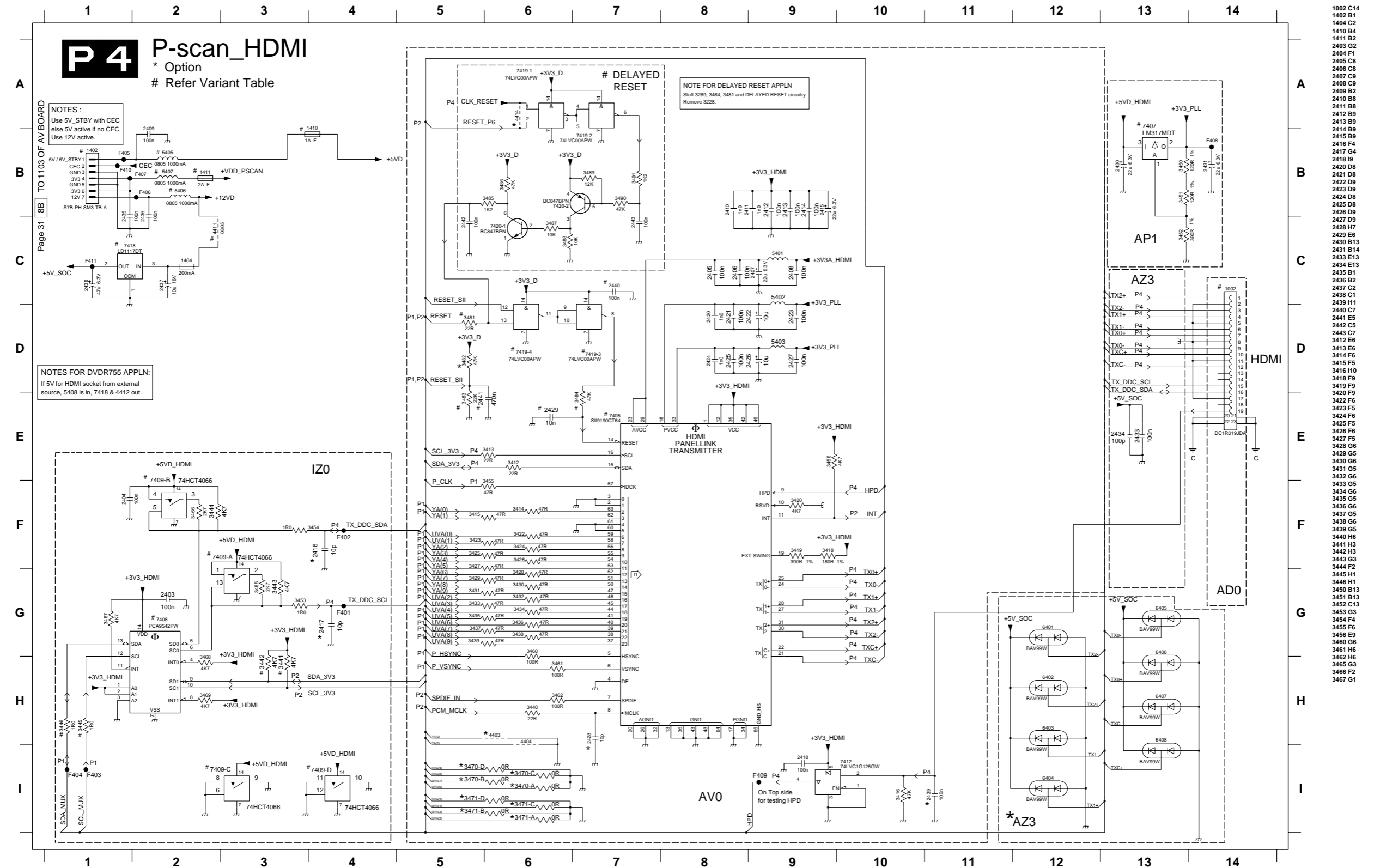
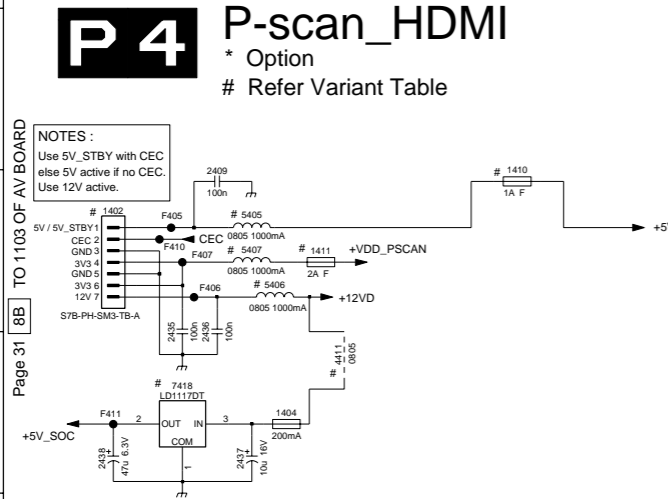


Table of component callouts including part numbers and designators such as 1002 C14, 1402 B1, 1404 C2, etc.



NOTES FOR DVDR755 APPLN: If 5V for HDMI socket from external source, 5408 is in, 7418 & 4412 out.

NOTE FOR DELAYED RESET APPLN: Stuff 3269, 3464, 3481 and DELAYED RESET circuitry. Remove 3226.

* Components having special characteristics are marked with a triangle symbol and must be replaced with parts having specifications equal to those originally installed.
*Schematic diagram is subject to change without notice.

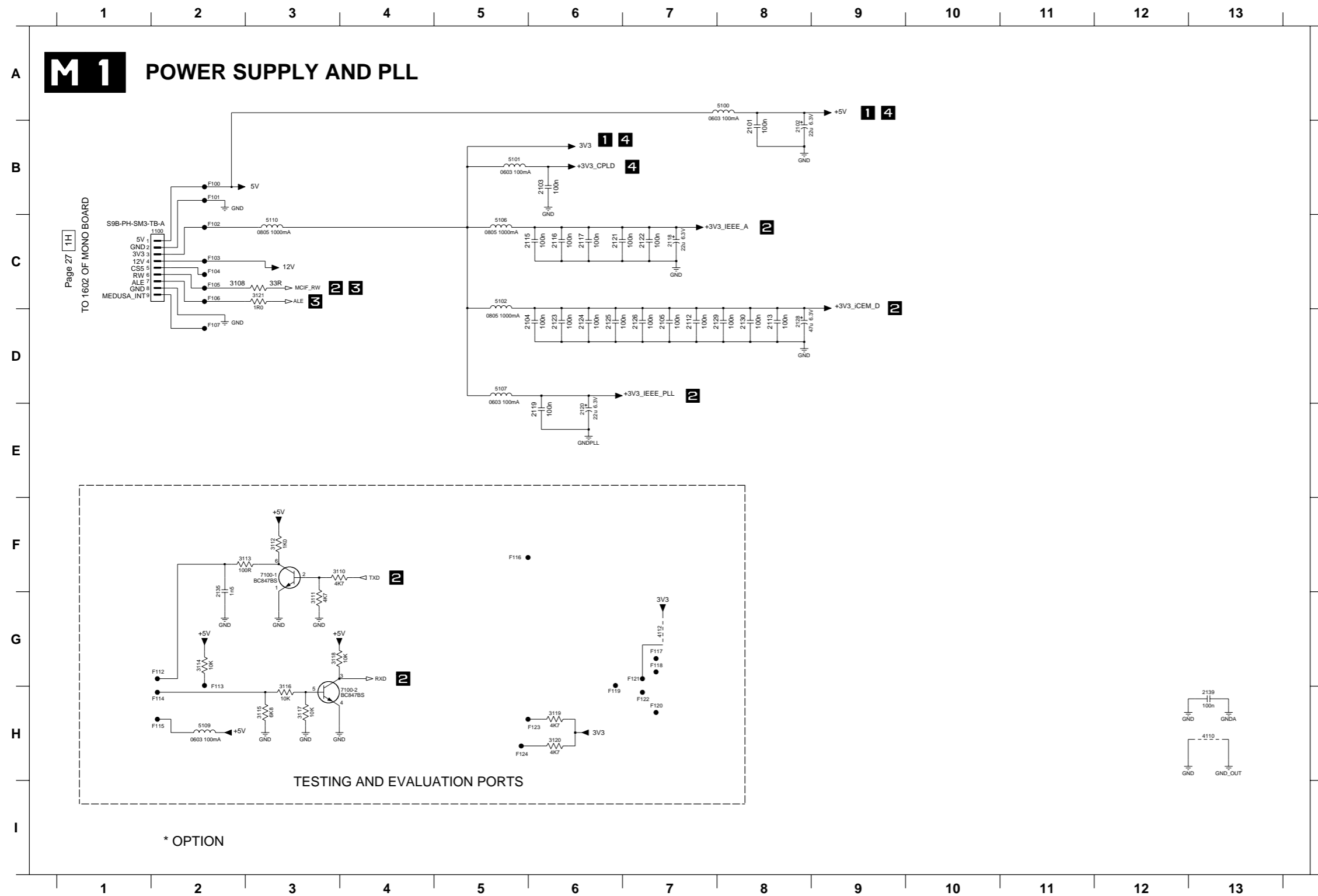
* 印のある部品は、安全性確保部品を示しています。部品の交換が必要な場合、パーツリストに記載されている部品を使用してください。
*本回路図は、標準回路図です。改良のため予告なく変更することがございます。

The first digit of a component indicates the component type.

1xxx : Connector 3xxx : Resistor 5xxx : Coil 7xxx : IC, Transistor, FET

2xxx : Capacitor 4xxx : SMD jumper 6xxx : Diode 9xxx : Wire jumper

■ SCHEMATIC DIAGRAM
FOR INFORMATION ONLY (NO REPLACEMENT PARTS WILL BE AVAILABLE)
IEEE1394 BOARD (1/4)



- 1100 C2
- 2101 B8
- 2102 B8
- 2103 B6
- 2104 D6
- 2105 D7
- 2112 D7
- 2113 D8
- 2115 C6
- 2116 C6
- 2117 C6
- 2118 C7
- 2119 E6
- 2120 E6
- 2121 C6
- 2122 C7
- 2123 D6
- 2124 D6
- 2125 D6
- 2126 D7
- 2127 E2
- 2128 D8
- 2129 D8
- 2130 D8
- 2135 F2
- 2139 H13
- 3108 C2
- 3110 F3
- 3111 G3
- 3112 F3
- 3113 F2
- 3114 G2
- 3115 H3
- 3116 H3
- 3117 H3
- 3118 G3
- 3119 H6
- 3120 H6
- 3121 C3
- 4108 F5
- 4110 H13
- 4112 G7
- 5100 A8
- 5101 B5
- 5102 C5
- 5106 C5
- 5107 D5
- 5109 H2
- 5110 C3
- 7100-1 F3
- 7100-2 H4
- F100 B2
- F101 B2
- F102 C2
- F103 C2
- F104 C2
- F105 C2
- F106 C2
- F107 D2
- F109 B12
- F110 B12
- F111 C12
- F112 G2
- F113 H2
- F114 H2
- F115 H2
- F116 F5
- F117 G7
- F118 G7
- F119 H6
- F120 H7
- F121 G7
- F122 H7
- F123 H6
- F124 H5

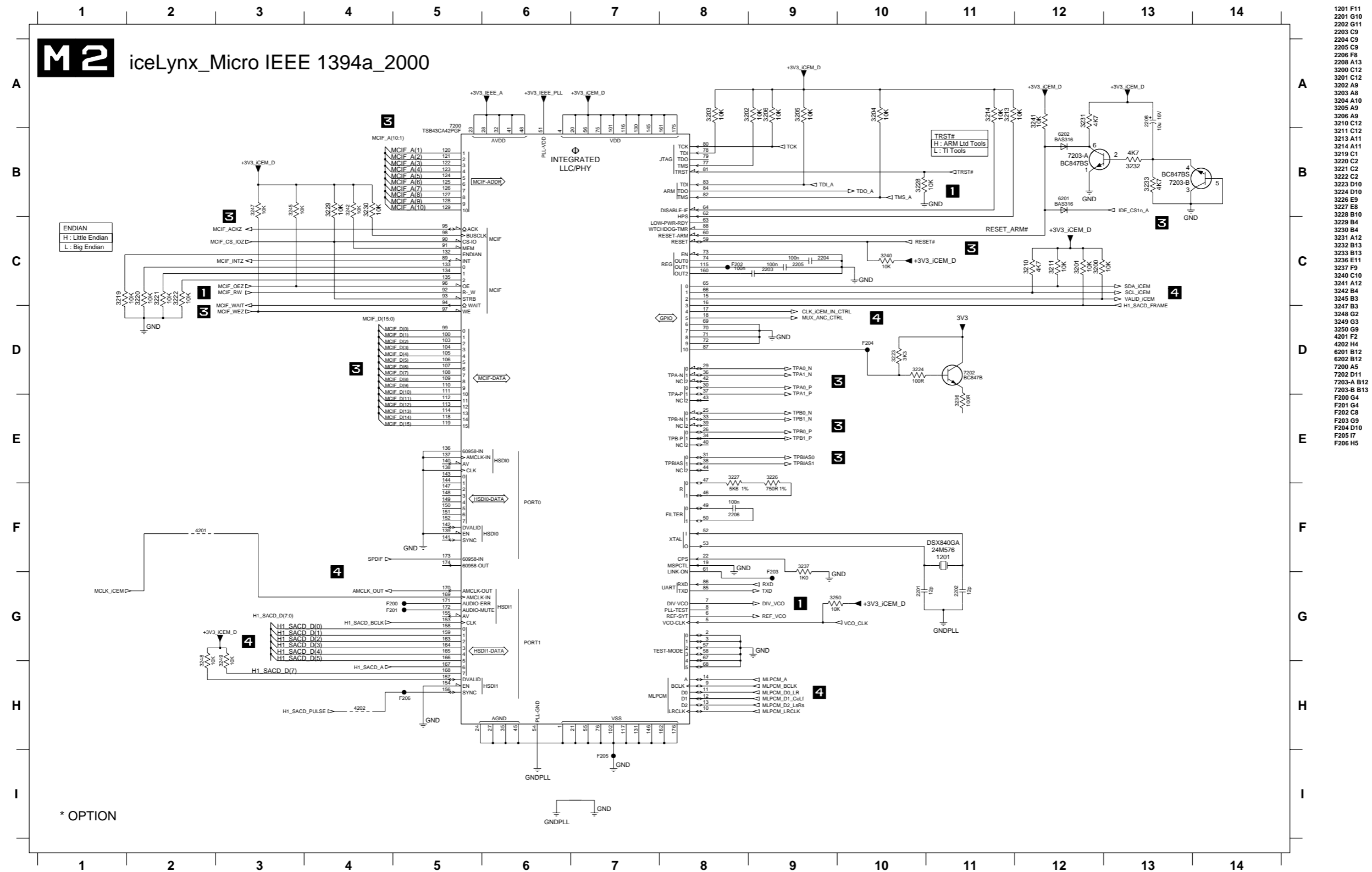
* Components having special characteristics are marked \triangle and must be replaced with parts having specifications equal to those originally installed.
* Schematic diagram is subject to change without notice.

* \triangle 印のある部品は、安全性確保部品を示しています。部品の交換が必要な場合、パーツリストに記載されている部品を使用してください。
* 本回路図は、標準回路図です。改良のため予告なく変更することがございます。

SCHEMATIC DIAGRAM
FOR INFORMATION ONLY (NO REPLACEMENT PARTS WILL BE AVAILABLE)
IEEE1394 BOARD (2/4)

The first digit of a component indicates the component type.

1xxx : Connector 3xxx : Resistor 5xxx : Coil 7xxx : IC, Transistor, FET
 2xxx : Capacitor 4xxx : SMD jumper 6xxx : Diode 9xxx : Wire jumper



* OPTION

* Components having special characteristics are marked Δ and must be replaced with parts having specifications equal to those originally installed.
 * Schematic diagram is subject to change without notice.

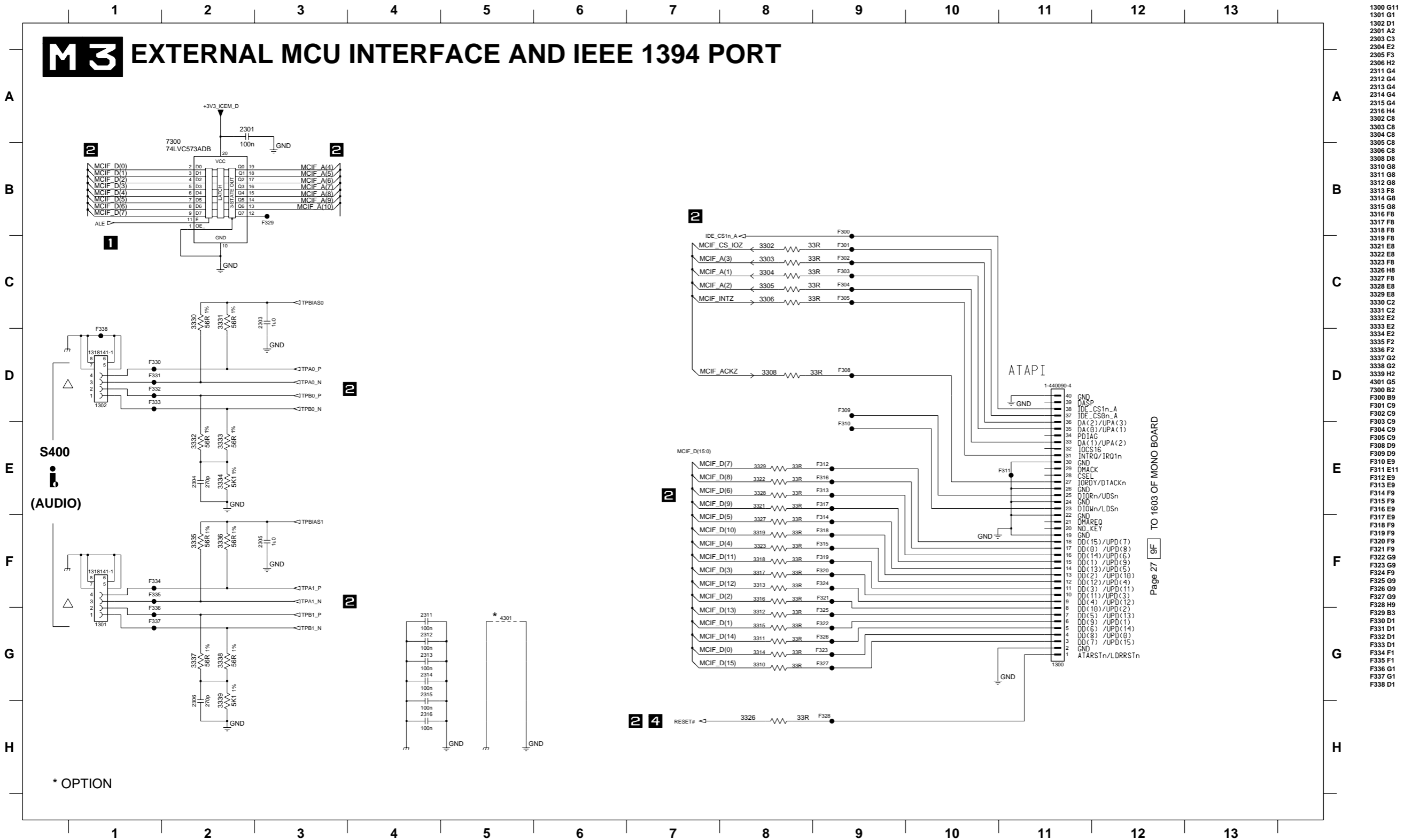
* Δ 印のある部品は、安全性確保部品を示しています。部品の交換が必要な場合、パーツリストに記載されている部品を使用してください。
 * 本回路図は、標準回路図です。改良のため予告なく変更することがございます。

■ SCHEMATIC DIAGRAM
FOR INFORMATION ONLY (NO REPLACEMENT PARTS WILL BE AVAILABLE)

IEEE1394 BOARD (3/4)

The first digit of a component indicates the component type.

- 1xxx : Connector 3xxx : Resistor 5xxx : Coil 7xxx : IC, Transistor, FET
- 2xxx : Capacitor 4xxx : SMD jumper 6xxx : Diode 9xxx : Wire jumper

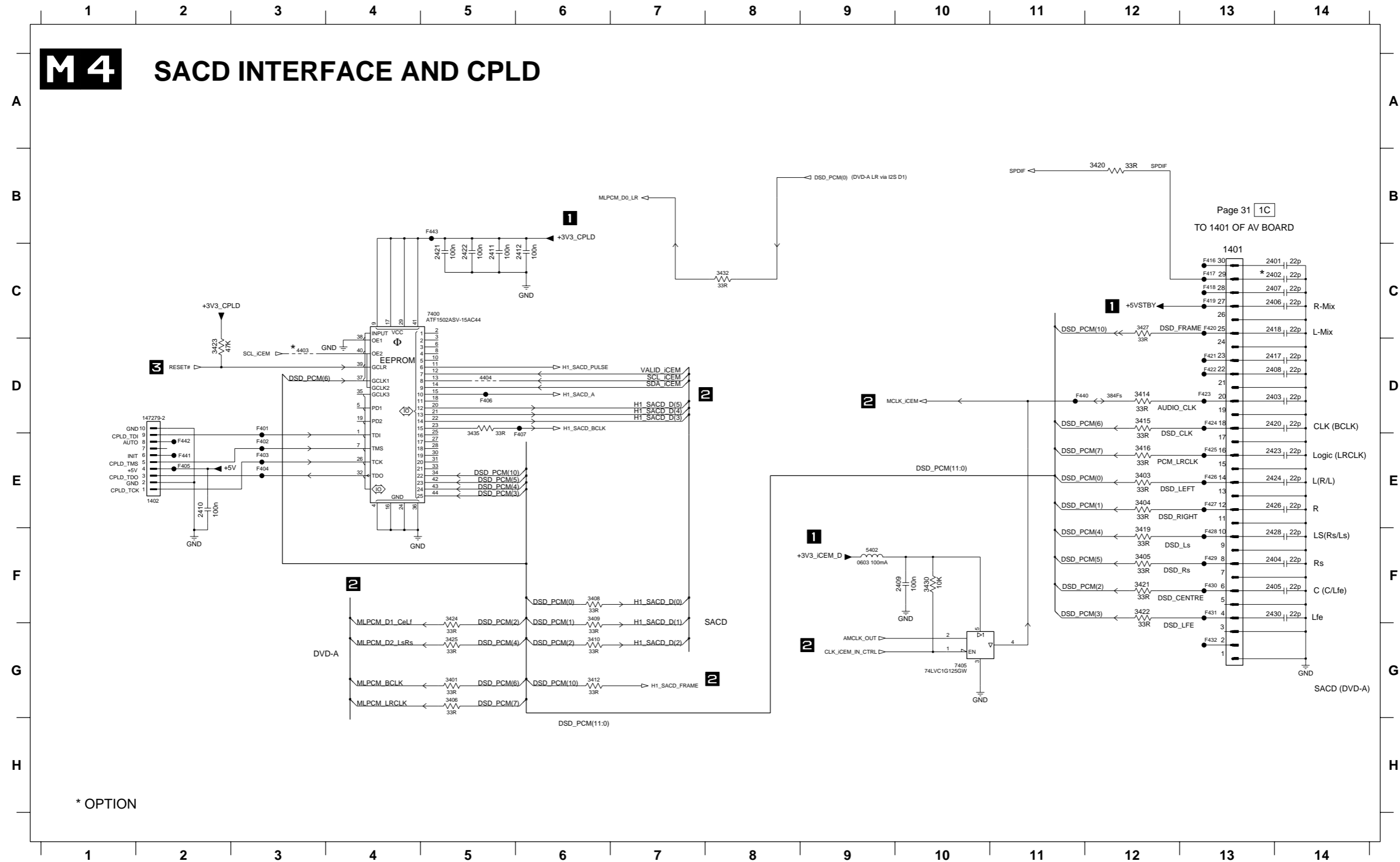


* Components having special characteristics are marked Δ and must be replaced with parts having specifications equal to those originally installed.
* Schematic diagram is subject to change without notice.

* Δ 印のある部品は、安全性確保部品を示しています。部品の交換が必要な場合、パーツリストに記載されている部品を使用してください。
* 本回路図は、標準回路図です。改良のため予告なく変更することがございます。

■ SCHEMATIC DIAGRAM
FOR INFORMATION ONLY (NO REPLACEMENT PARTS WILL BE AVAILABLE)
IEEE1394 BOARD (4/4)

The first digit of a component indicates the component type.
1xxx : Connector 3xxx : Resistor 5xxx : Coil 7xxx : IC, Transistor, FET
2xxx : Capacitor 4xxx : SMD jumper 6xxx : Diode 9xxx : Wire jumper



1401 B13
1402 E2
2401 C13
2402 C13
2403 D13
2404 F13
2405 F13
2406 C13
2407 C13
2408 D13
2409 F10
2410 E2
2411 C5
2412 C6
2417 D13
2418 C13
2420 D13
2421 C5
2422 C5
2423 E13
2424 E13
2426 E13
2428 F13
2430 F13
3401 G5
3403 E12
3404 E12
3405 F12
3406 G5
3408 F6
3409 F6
3410 G6
3412 G6
3414 D12
3415 D12
3416 E12
3419 F12
3420 B12
3421 F12
3422 F12
3423 D2
3424 F5
3425 G5
3427 C12
3430 F10
3432 C8
3435 E5
4403 D3
4404 D5
5402 F9
7400 C5
7405 G10
F401 D3
F402 E3
F403 E3
F404 E3
F405 E2
F406 D5
F407 E6
F416 C13
F417 C13
F418 C13
F419 C13
F420 C13
F421 D13
F422 D13
F423 D13
F424 D13
F425 E13
F426 E13
F427 E13
F428 F13
F429 F13
F430 F13
F431 F13
F432 G13
F440 D11
F441 E2
F442 E2
F443 B5

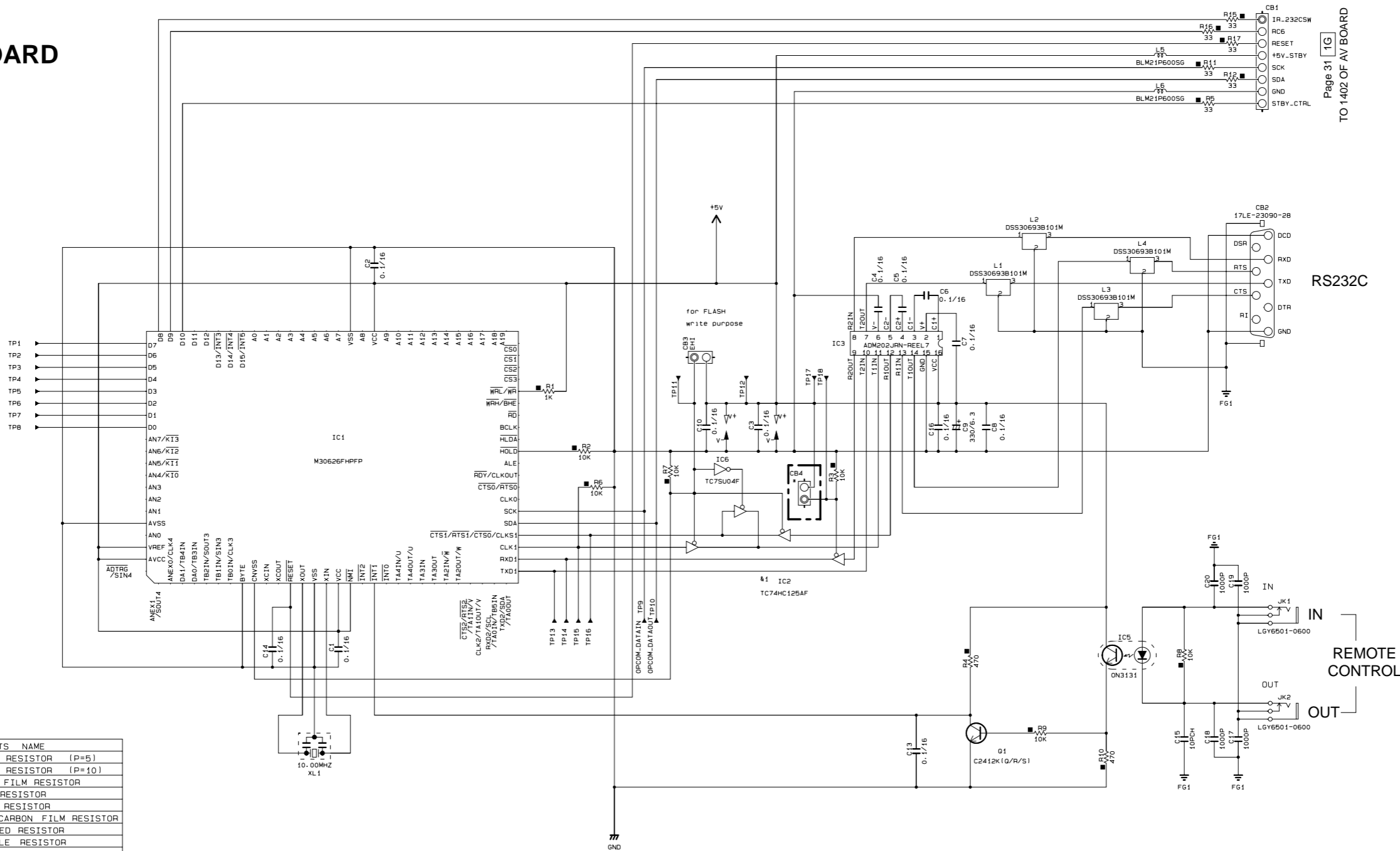
* OPTION

* Components having special characteristics are marked Δ and must be replaced with parts having specifications equal to those originally installed.
* Schematic diagram is subject to change without notice.

* Δ 印のある部品は、安全性確保部品を示しています。部品の交換が必要な場合、パーツリストに記載されている部品を使用してください。
* 本回路図は、標準回路図です。改良のため予告なく変更することがございます。

SCHEMATIC DIAGRAM FOR INFORMATION ONLY (NO REPLACEMENT PARTS WILL BE AVAILABLE)

RS232C BOARD



Page 31 1G
TO 1402 OF AV BOARD

RS232C

REMOTE CONTROL

RESISTOR

REMARKS	PARTS NAME
NO MARK	CARBON FILM RESISTOR (P=5)
□	CARBON FILM RESISTOR (P=10)
△	METAL OXIDE FILM RESISTOR
▲	METAL FILM RESISTOR
⊠	METAL PLATE RESISTOR
■	FIRE PROOF CARBON FILM RESISTOR
□	CEMENT MOLDED RESISTOR
⊙	SEMI VARIABLE RESISTOR
■	CHIP RESISTOR

CAPACITOR

REMARKS	PARTS NAME
NO MARK	ELECTROLYTIC CAPACITOR
⊗	TANTALUM CAPACITOR
NO MARK	CERAMIC CAPACITOR
⊙	CERAMIC TUBULAR CAPACITOR
⊖	POLYESTER FILM CAPACITOR
○	POLYSTYRENE FILM CAPACITOR
①	MICA CAPACITOR
⊕	POLYPROPYLENE FILM CAPACITOR
⊖	SEMICONDUCTIVE CERAMIC CAPACITOR
⊙	POLYPHENYLENE SULFIDE FILM CAPACITOR

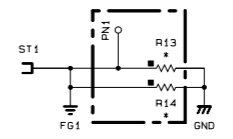
Interchangeable Parts at Manufacture-Stage

Mark	Reference Parts Number	Parts Name
k1	IC2	TC74HC125AF HD74HC125FP

The following parts are not mounted.
 CB4 : for FLASH write purpose
 R13-R14-PN1 : for countermeasure of EMC

CB3-CB4 setting

Mode	CB3	CB4
Normally	open	open
Write FLASH through CB2	short	open
Write FLASH directly (use TP13, 14, 15, 16)	short	short

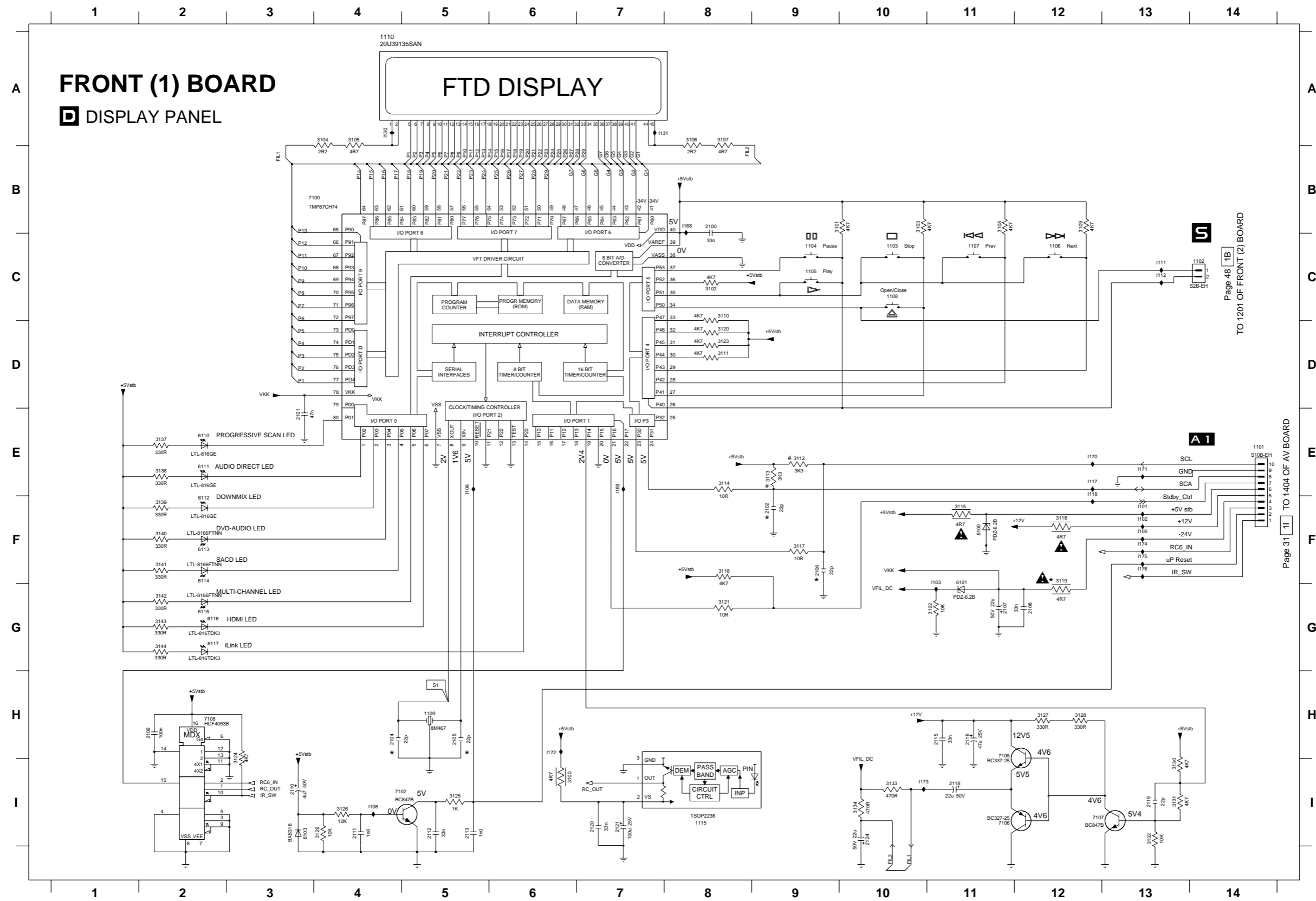


- * Components having special characteristics are marked △ and must be replaced with parts having specifications equal to those originally installed.
- * Schematic diagram is subject to change without notice.

- * △印のある部品は、安全性確保部品を示しています。部品の交換が必要な場合、パーツリストに記載されている部品を使用してください。
- * 本回路図は、標準回路図です。改良のため予告なく変更することがございます。

SCHEMATIC DIAGRAM
FOR INFORMATION ONLY (NO REPLACEMENT PARTS WILL BE AVAILABLE)

The first digit of a component indicates the component type.
 1xxx : Connector 3xxx : Resistor 5xxx : Coil 7xxx : IC, Transistor, FET
 2xxx : Capacitor 4xxx : SMD jumper 6xxx : Diode 9xxx : Wire jumper



- 1101 E14
- 1102 C14
- 1103 C10
- 1104 C9
- 1105 C9
- 1106 C12
- 1107 C11
- 1108 C10
- 1109 H5
- 1110 A4
- 1115 B
- 2100 B8
- 2101 E3
- 2102 F9
- 2104 H4
- 2105 H5
- 2106 F9
- 2107 G11
- 2108 G12
- 2109 H2
- 2110 I3
- 2111 I4
- 2112 I5
- 2113 I5
- 2115 H11
- 2116 H11
- 2118 H11
- 2119 I13
- 2120 I7
- 2121 I7
- 2124 I10
- 3100 I6
- 3101 B9
- 3102 G8
- 3103 B10
- 3104 A4
- 3105 A4
- 3106 A8
- 3107 A8
- 3108 B11
- 3109 B12
- 3110 C8
- 3111 D8
- 3112 E9
- 3113 E9
- 3114 E8
- 3115 F11
- 3116 F12
- 3117 F9
- 3118 F8
- 3119 F12
- 3120 D8
- 3121 G8
- 3122 G11
- 3123 D8
- 3124 H3
- 3125 I5
- 3126 I4
- 3127 H12
- 3128 H12
- 3129 I4
- 3130 I3
- 3131 I3
- 3132 I3
- 3133 I10
- 3134 H10
- 3137 E2
- 3138 E2
- 3139 F2
- 3140 F2
- 3141 F2
- 3142 G2
- 3143 G2
- 3144 G2
- 6100 F11
- 6101 G11
- 6103 I3
- 6110 E2
- 6111 E2
- 6112 F2
- 6113 F2
- 6114 F2
- 6115 G2
- 6116 G2
- 6117 G2
- 7100 B4
- 7102 I4
- 7105 H11
- 7106 H11
- 7107 I3
- 7108 H2
- I101 F13
- I102 F13
- I103 F11
- I105 F13
- I106 E5
- I108 I4
- I111 C13
- I112 C13
- I117 E12
- I118 E12
- I130 A4
- I131 A7
- I168 B8
- I169 E7
- I170 E12
- I171 E13
- I172 H6
- I173 I10
- I174 F13
- I176 F13
- I175 F13

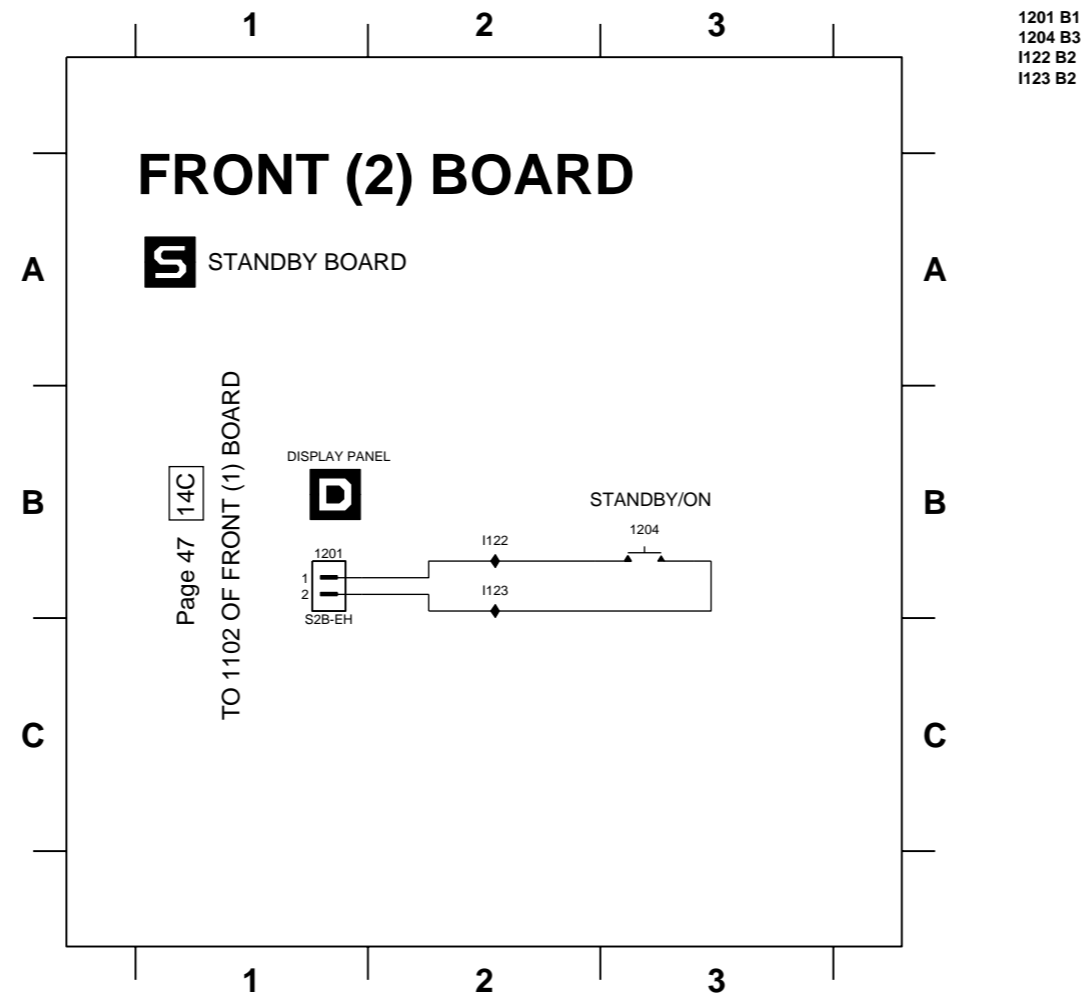
* Components having special characteristics are marked and must be replaced with parts having specifications equal to those originally installed.
 * Schematic diagram is subject to change without notice.

* 印のある部品は、安全性確保部品を示しています。部品の交換が必要な場合、パーツリストに記載されている部品を使用してください。
 * 本回路図は、標準回路図です。改良のため予告なく変更することがございます。

■ SCHEMATIC DIAGRAM
FOR INFORMATION ONLY (NO REPLACEMENT PARTS WILL BE AVAILABLE)

The first digit of a component indicates the component type.

1xxx : Connector	3xxx : Resistor	5xxx : Coil	7xxx : IC, Transistor, FET
2xxx : Capacitor	4xxx : SMD jumper	6xxx : Diode	9xxx : Wire jumper



* Components having special characteristics are marked \triangle and must be replaced with parts having specifications equal to those originally installed.
* Schematic diagram is subject to change without notice.

* \triangle 印のある部品は、安全性確保部品を示しています。部品の交換が必要な場合、パーツリストに記載されている部品を使用してください。
* 本回路図は、標準回路図です。改良のため予告なく変更することがございます。

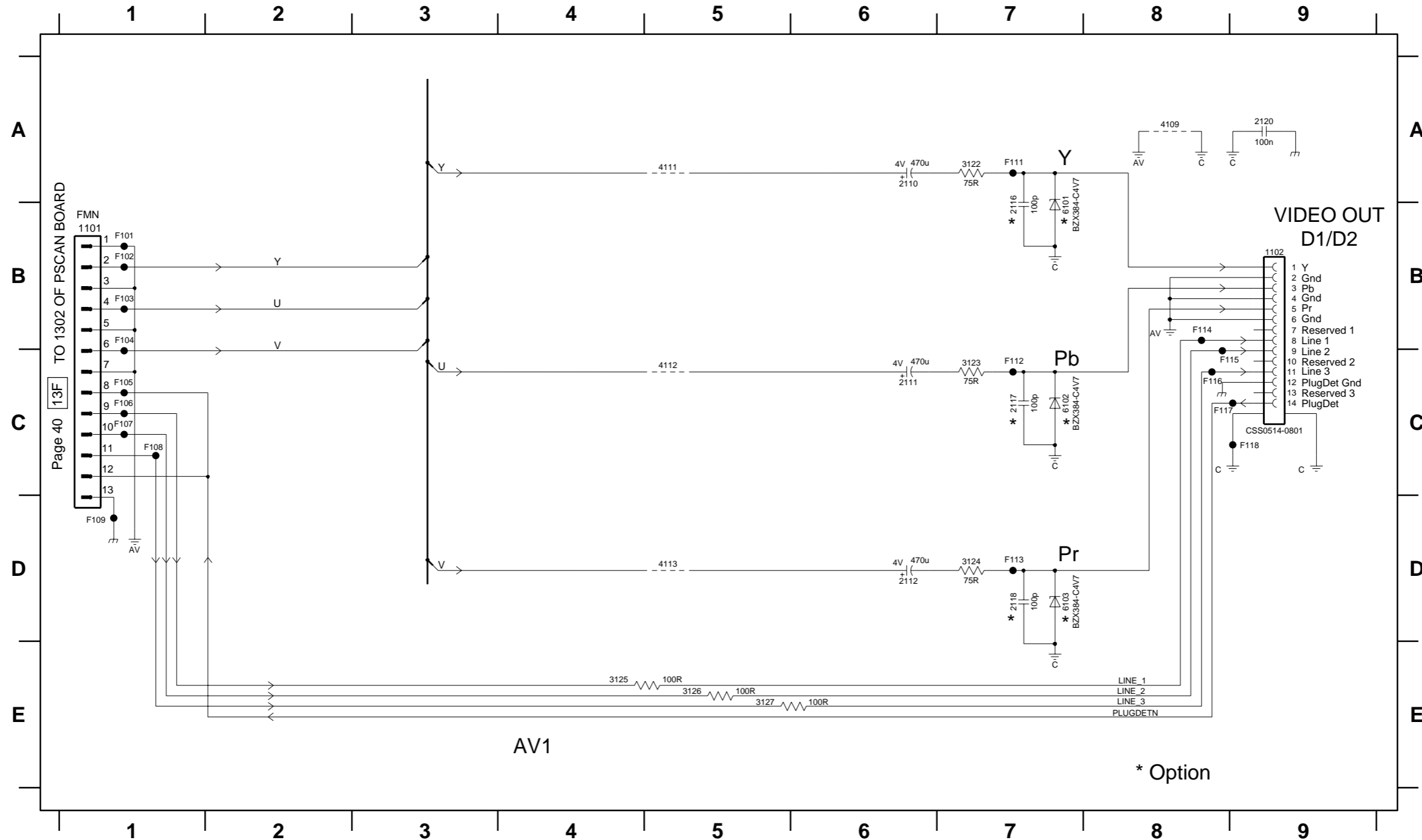
■ SCHEMATIC DIAGRAM
FOR INFORMATION ONLY (NO REPLACEMENT PARTS WILL BE AVAILABLE)

HDMI D2 BOARD (J model only)

The first digit of a component indicates the component type.

1xxx : Connector 3xxx : Resistor 5xxx : Coil 7xxx : IC, Transistor, FET
2xxx : Capacitor 4xxx : SMD jumper 6xxx : Diode 9xxx : Wire jumper

1101 B1	2120 A9	4112 B5	F105 C1	F114 B8
1102 B9	3122 A7	4113 C5	F106 C1	F115 C8
2110 A6	3123 C7	6101 B7	F107 C1	F116 C8
2111 C6	3124 D7	6102 C7	F108 C1	F117 C8
2112 D6	3125 E4	6103 D7	F109 D1	F118 C9
2116 B7	3126 E5	F101 B1	F110 C2	
2117 C7	3127 E5	F102 B1	F111 A7	
2118 D7	4109 A8	F103 B1	F112 C7	
2119 A8	4111 A5	F104 B1	F113 D7	



* Components having special characteristics are marked \triangle and must be replaced with parts having specifications equal to those originally installed.
* Schematic diagram is subject to change without notice.

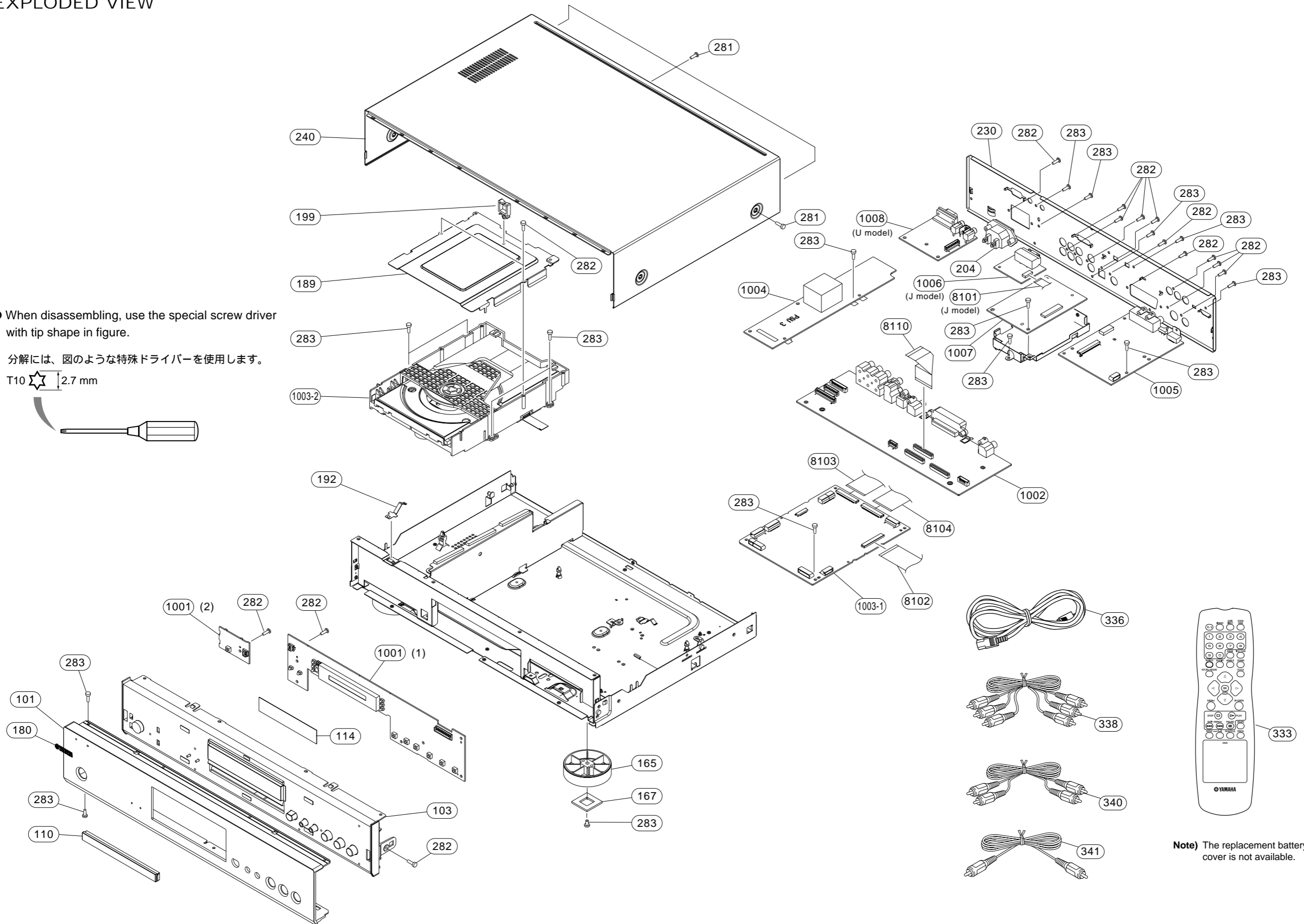
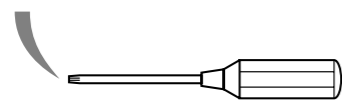
* \triangle 印のある部品は、安全性確保部品を示しています。部品の交換が必要な場合、パーツリストに記載されている部品を使用してください。
* 本回路図は、標準回路図です。改良のため予告なく変更することがございます。

EXPLODED VIEW

● When disassembling, use the special screw driver with tip shape in figure.

分解には、図のような特殊ドライバーを使用します。

T10  2.7 mm



Note) The replacement battery cover is not available.

MECHANICAL PARTS

WARNING

- Components having special characteristics are marked \triangle and must be replaced with parts having specifications equal to those originally installed.
- \triangle 印のある部分は、安全確保部品を示しています。部品の交換が必要な場合、パーツリストに記載されている部品を使用してください。

Ref. No.	PART NO.	Description	Remarks	Markets	部品名	Rank
* 101	AA62340	FRONT PANEL	GD		フロントパネル	
* 101	AA62350	FRONT PANEL	BL		フロントパネル	
* 101	AA62330	FRONT PANEL	TI		フロントパネル	
* 103	AA62250	SUB PANEL ASS'Y	GD		サブパネル A S S Y	
* 103	AA62230	SUB PANEL ASS'Y	BL		サブパネル A S S Y	
* 103	AA62240	SUB PANEL ASS'Y	TI		サブパネル A S S Y	
* 110	AA62320	TRAY COVER ASS'Y	GD		トレーカバー A S S Y	
* 110	AA62300	TRAY COVER ASS'Y	BL		トレーカバー A S S Y	
* 110	AA62310	TRAY COVER ASS'Y	TI		トレーカバー A S S Y	
* 114	AA62260	SHEET/FL			シート / F L	
* 165	AA64520	FOOT	GD		脚	
* 165	AA64530	FOOT	BL, TI		脚	
167	AA58260	CUSHION			クッション	
* 180	AA62200	EMBLEM GOLD	GD		エンブレム GOLD	
* 180	AA62190	EMBLEM	BL, TI		エンブレム	
* 189	AA64510	PLATE, SHIELD			プレート / シールド	
192	AA53480	SPRING GROUNDING			スプリング / グランド	
* 199	AA62400	SADDLE WIRE	NY6/6 NT 9.9MM B		ワイヤーサドル	
\triangle 204	AA57640	AC INLET	2P		A C インレット 2 P	
* 230	AA62360	REAR PANEL		J	リアパネル	
* 230	AA62370	REAR PANEL		U	リアパネル	
* 230	AA62380	REAR PANEL		G	リアパネル	
* 240	AA62280	TOP COVER	GD		トップカバー	
* 240	AA62290	TOP COVER	BL		トップカバー	
* 240	AA62270	TOP COVER	TI		トップカバー	
281	AA57730	PW HEAD TORX S-TIGHT SCREW	GD, TI 3x6 MFNI33		PWヘッド S タイトネジ	
281	AA55450	PW HEAD TORX S-TIGHT SCREW	BL 3x6-8 MFZN2BL		PWヘッド S タイトネジ	
282	AA53520	PAN HEAD TORX P-TIGHT SCREW	3x8 MFZN2BL		ナベトルクス P タイトネジ	
283	AA23640	PAN HEAD TORX S-TIGHT SCREW	3x6 MFZN2BL		ナベトルクス S タイトネジ	
* 1001	AA62180	P.C.B. ASS'Y	FRONT		P C B フロント	
* 1002	AA62120	P.C.B. ASS'Y	A/V	JU	P C B A V	
* 1002	AA62130	P.C.B. ASS'Y	A/V	G	P C B A V	
* 1003-1	AA62150	P.C.B. ASS'Y	MONO SD52(S)XSA		P C B MONO	
* 1003-2	AA62110	DVD MECHANISM	A97SL-S		D V D メカニズム	
\triangle 1004	AA58070	POWER SUPPLY UNIT	BIL PERF2003 WR HE		電源ユニット	16
* 1005	AA62160	P.C.B. ASS'Y	PSCAN D2	J	P C B P S C A N	
* 1005	AA62170	P.C.B. ASS'Y	PSCAN	UG	P C B P S C A N	
1006	AA57680	P.C.B. ASS'Y	HDMI D2	J	P C B H D M I	06
* 1007	AA62140	P.C.B. ASS'Y	IEEE1394		P C B I E E E 1 3 9 4	
* 1008	WC020500	P.C.B. ASS'Y	RS232C	U	P C B R S 2 3 2 C	
* 8101	AA62220	FLEXIBLE FLAT CABLE	13P 220mm P=1mm	J	カード電線 C & C	
8102	AA59250	FLEXIBLE FLAT CABLE	30P 180mm P=1mm		カード電線 C & C	
8103	AA47150	FLEXIBLE FLAT CABLE	30P 80mm P=1mm		カード電線 C & C	01
8104	AA47150	FLEXIBLE FLAT CABLE	30P 80mm P=1mm		カード電線 C & C	01
* 8110	AA62210	FLEXIBLE FLAT CABLE	30P 80mm P=1mm		カード電線 C & C	
		ACCESSORIES			付属品	
* 333	AA62390	REMOTE CONTROL	RC1143901/00		リモコン	
\triangle 336	AA58050	POWER CABLE	2m	J	電源コード	08
\triangle 336	AA58060	POWER CABLE	2m	U	電源コード	
\triangle 336	AA58040	POWER CABLE	2m	G	電源コード	
338	AA23450	AUDIO/VIDEO CABLE	YE/RD/WH 1.5m 1pc	JU	音声 / 映像ピンケーブル	10
340	AA21980	AUDIO PIN CABLE	RD/WH 1.5m 1pc	G	ステレオピンケーブル	05
341	AA22970	VIDEO CABLE	YE 1.5m 1pc	G	ビデオ用ピンケーブル	08
		BATTERIES	SUM-3N 2pcs		乾電池	

* New Parts (新規部品)

DVD-S2500

